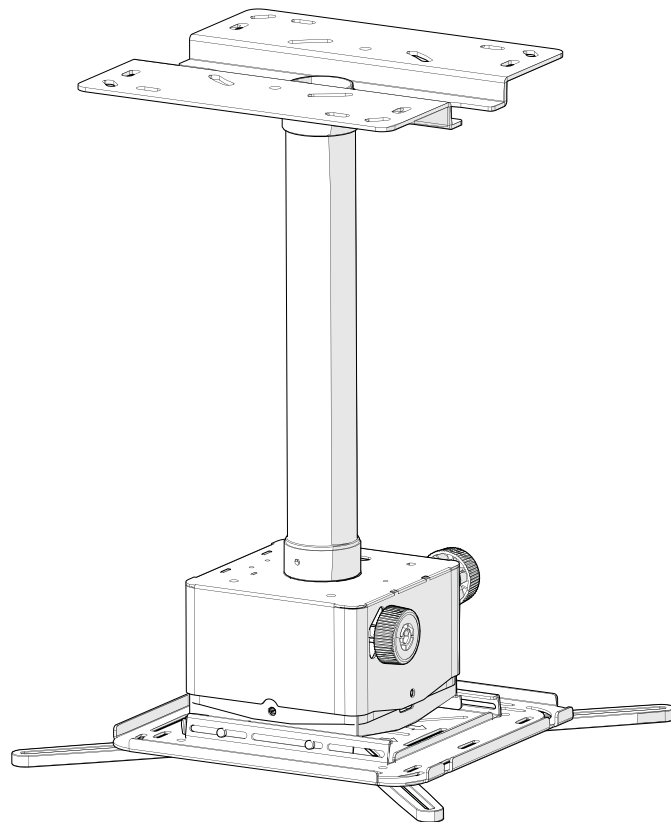


Installation manual

M Projector Mount Pro HD

EAN: 7350105210587, 7350105210594

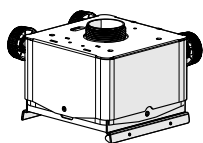
- en Installation manual
- ar تثبيت الجال لى لى د
- cz Instalační manuál
- da Installationsmanual
- de Installationsanleitung
- ee Paigaldusjuhend
- el Οδηγίες εγκατάστασης
- es Manual de instalación
- fi Asennusohje
- fr Installation Manuel
- he הנקתה יך רדרמ
- hu Szerelési kézikönyv
- it Manuale di installazione
- jp 取り付け説明書
- kr 설치 설명서
- li Montavimo instrukcija
- lt Uzstādīšanas rokasgrāmata
- nl Installatie handleiding
- no Installasjonshåndbok
- pl Instrukcja instalacji
- pt Manual de instalação
- ro Manual de instalare
- ru Инструкция по установке
- sk Inštaláčny manuál
- sl Navodila za montažo
- sv Installationsmanual
- tr Montaj kılavuzu
- zh 安装手册



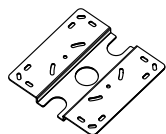
Important safety

1. Be sure to read this manual thoroughly to do the installation work.
 2. Only qualified service personnel (two or more) should carry out installation or dismantling of the projector from the projector ceiling mount.
 - ⚠ **This mount is intended for use only with the maximum weight of 50 kg. Use with products heavier than the maximum weights indicated may result in instability causing possible injury.**
 3. For safety reasons, check the strength of the ceiling before installation. If the ceiling is not strong enough, reinforce it sufficiently before installation.
 4. Do not make alterations to the projector ceiling mount.
 5. Do not install the projector ceiling mount on a ceiling subject to vibration or impact.
 6. To avoid fire, do not install the projector with the projector ceiling mount in a humid or excessively dusty place.
 7. Use the supplied accessories only. Use of accessories other than those supplied may result in damage to the projector ceiling mount.
 8. When dismantling the projector from the projector ceiling mount, be sure to unplug the AC power cord and other connecting cables beforehand.
 9. Do not hit or hang any heavy objects on the projector ceiling mount. If the projector ceiling mount is damaged, stop use and contact a qualified service person immediately.
 10. Please install this apparatus only on the horizontal surface instead of the slanting one.
- *Manufacturer is not liable for any damages or injury caused by mishandling or improper installation.**

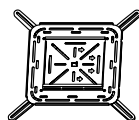
Checking the supplied accessories



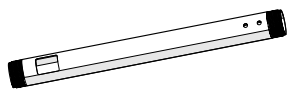
Setting plate (1)



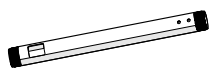
Fixing plate (1)



Projector Mounting Plate (1)



Tube-500mm(1)



Tube-350mm (1)



Tube-100mm(1)

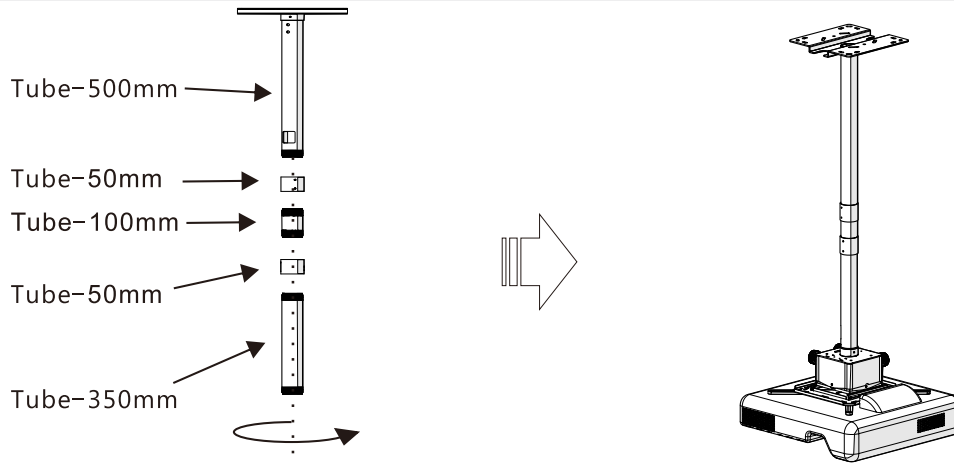


Tube-50mm(2)

	Diagrammatic presentation	Designation	Quantity
A		Screw (M6X55)	8
B		Φ10mm Anchor bolt	8
C		Allen key	1
D1		Screw (M4X10)	4
D2		Screw (M5X12)	4
E		M5 nuts	4
F		Screw (M5X15)	4
G		Screw (M5X5)	10
H		Allen key	1
J		Screw (M4X10)	4
K		Stickers	1

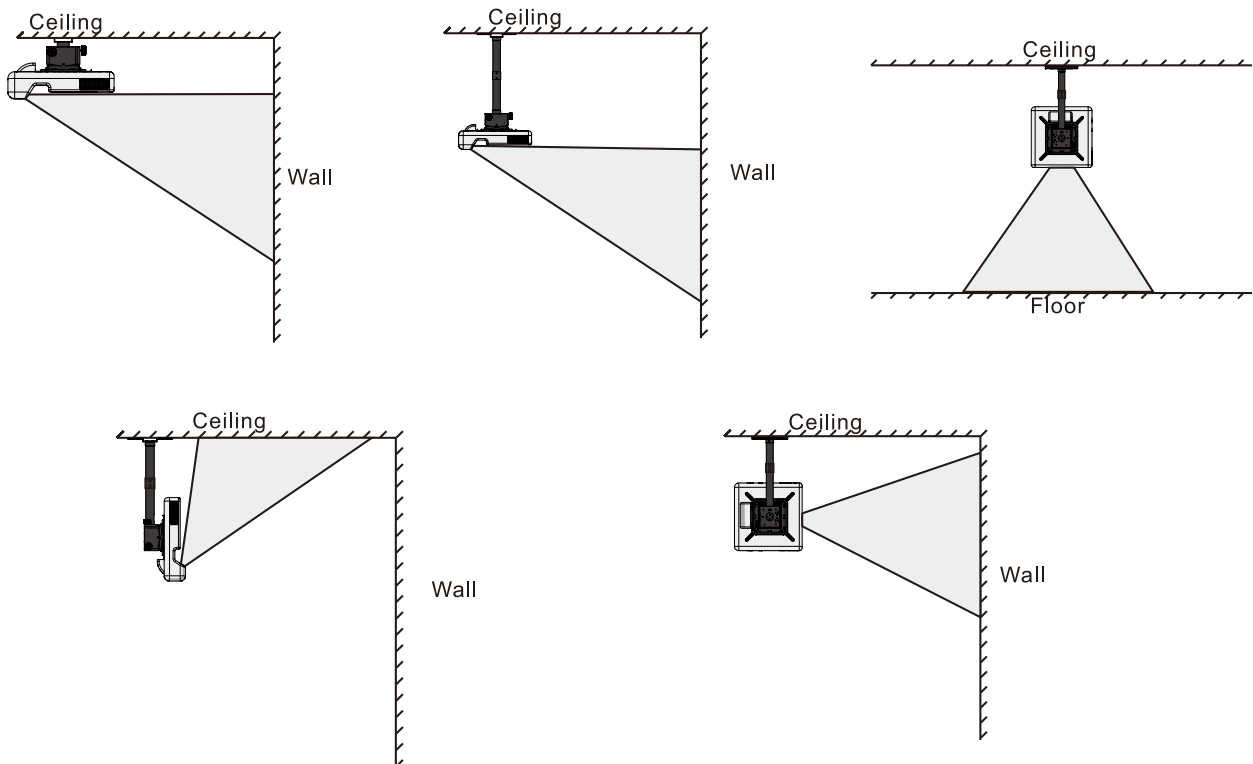
*J is pre locked in the projector hanger

Length adjustment



According to the actual needs, the installation height can be properly selected

Projection mode

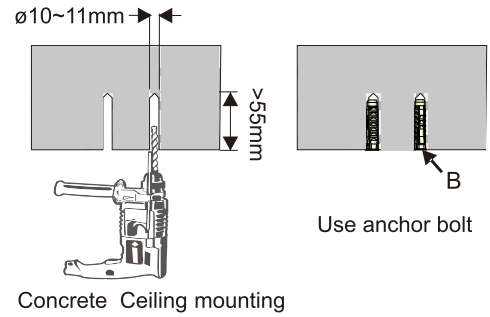


Product information: M Projector Mount Pro HD

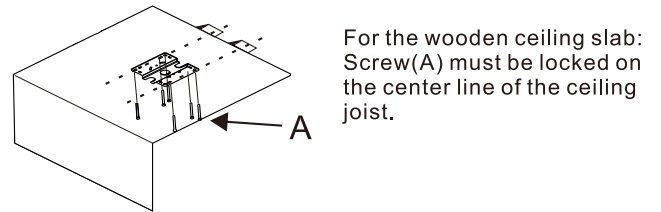
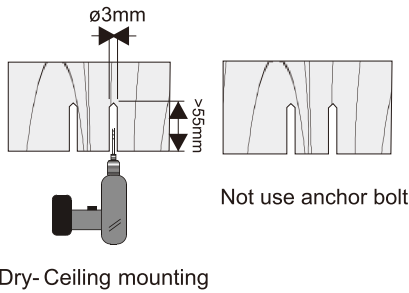
Model:	M Projector Mount Pro HD
Net weight:	8.5 kg
Rated capacity:	40 kg
Adjustable range:	Vertical mounting: 150mm, 225mm, 475mm, 575mm, 625mm, 725mm, 975mm Side mounting: 400mm, 500mm, 550mm, 650mm, 900mm, 1000mm
Adjustable angle:	± 5° tilt, left\right, front\rear and lateral rotation adjustment

To set the projector ceiling mount on the wall

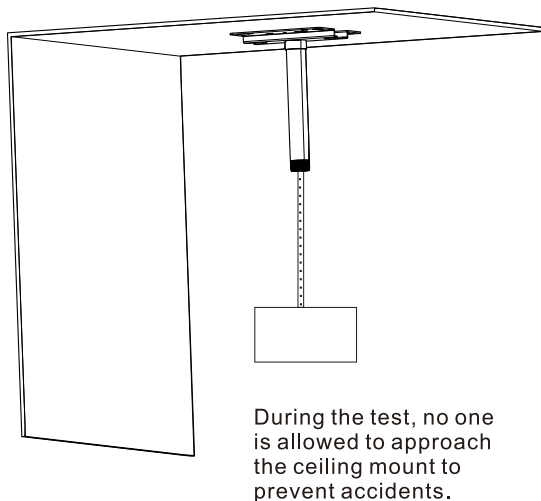
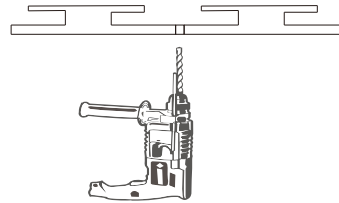
- Concrete ceiling mounting thickness must be a minimum 100mm. Anchor bolt and serew (M6 × 55) are needed to be used for installation.



- Dry-ceiling mounting thickness must be a minimum 70mm. Only serew(M6 × 55) is needed to be used for installation. If the wall is not strong enough, reinforce it sufficiently before installation.



- For the steel ceiling slab, the customer needs to purchase screws to tighten the fixing plate.

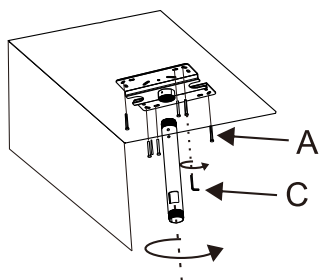


Example of weight test ceiling

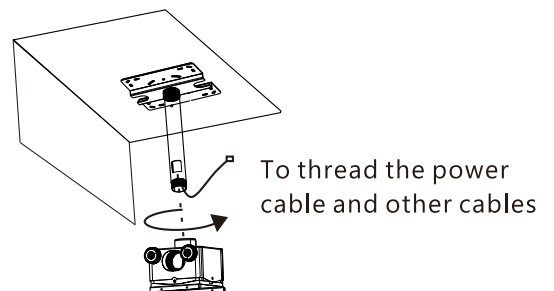
After the fixing plate installed, perform a weight test on the installation wall for 20 minutes, if the wall is not cracked and the object does not fall, you can continue the installation. Otherwise, the wall must be reinforced to meet the requirements!

IMPORTANT:

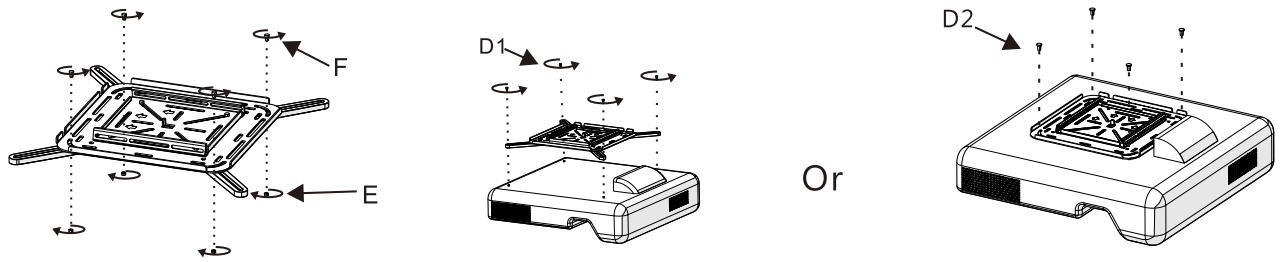
Always check ceiling before mounting this product.



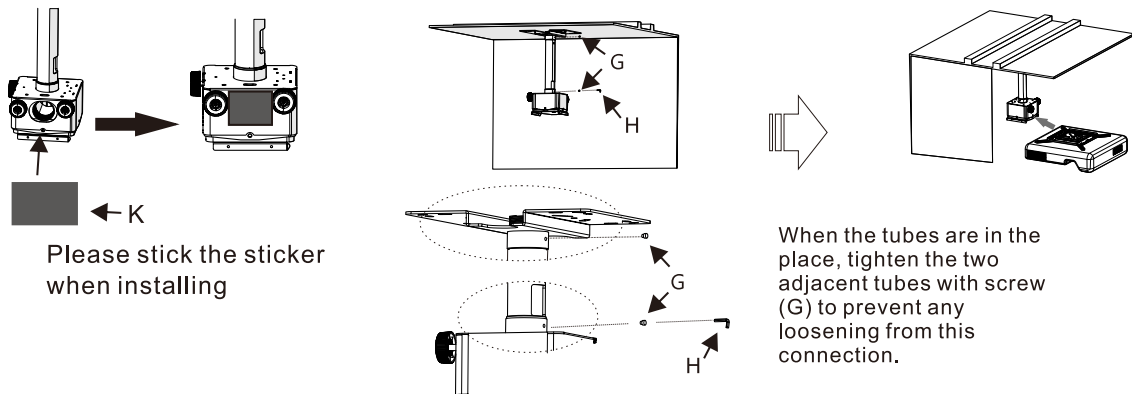
Tighten with screw (A) 6 pcs or more



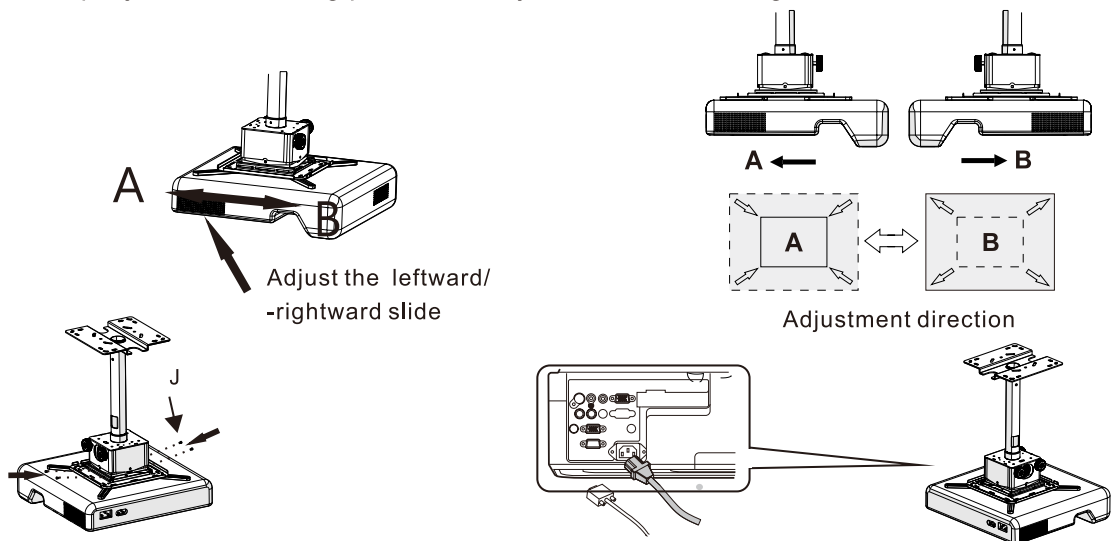
Install the projector mounting on the projector



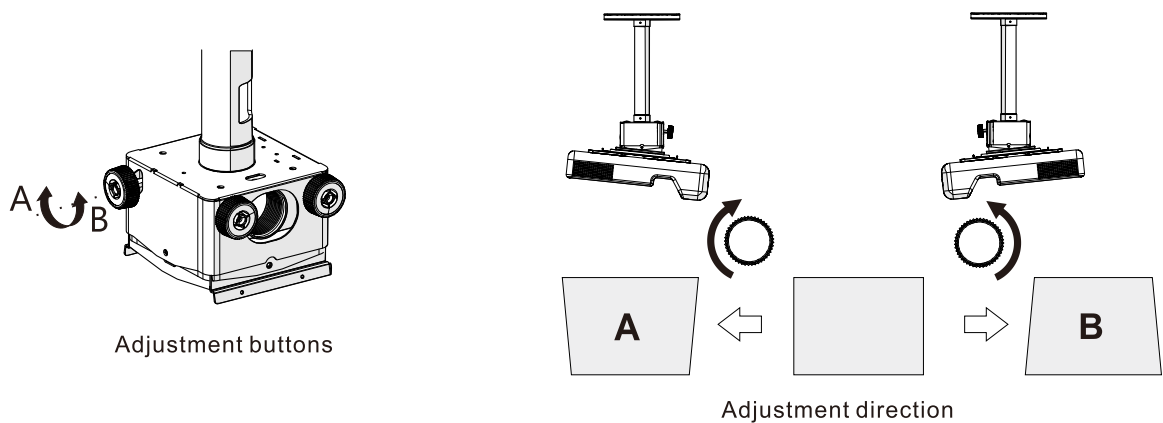
Install the projector on the ceiling mount (vertical mounting)



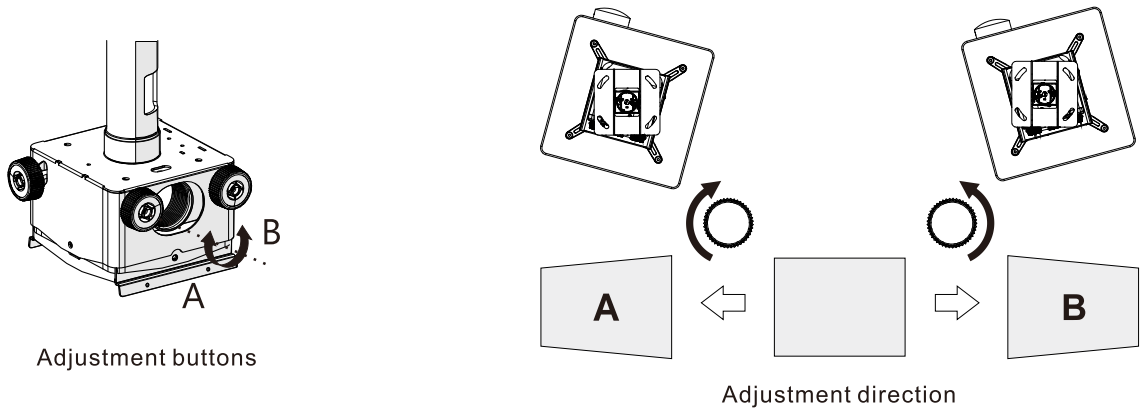
- Move the projector mounting plate and adjust the leftward/rightward slide.



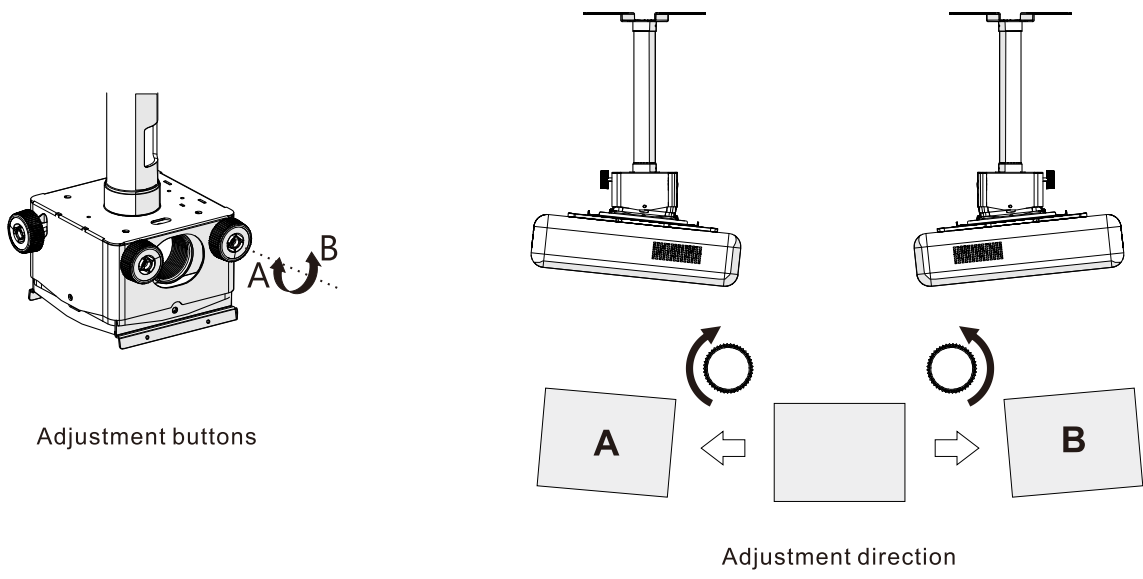
To adjust the vertical tilt



To adjust the horizontal roll



To adjust the horizontal rotation



Install the projector on the ceiling mount (side mounting)

