



# Lexmark XC9235

Loaded with standard features, the 35 ppm, A3 Lexmark XC9235 supports demanding workloads through a powerful combination of printing, copying, scanning, faxing and optional finishing.

## Part Number

32C0488

## Print Technology

Color Laser

## Function

Colour Copying, Colour Faxing, Colour Printing, Colour Scanning, Colour Network Scanning

## Workgroup Size

Large Workgroup

## Touch Screen Display

Yes

## Display

Lexmark e-Task 10-inch (25 cm) class color touch screen

## Print Speed (A4, Black)

Up to 35 ppm<sup>6</sup>

## Print Speed (A4, Colour)

Up to 35 ppm<sup>6</sup>

## Print Speed (A4, Black) Duplex

Up to 35 spm<sup>6</sup>

## Time to First Page (Black)

As fast as 7 seconds

## Time to First Page (Colour)

As fast as 8.3 seconds

## Duplex (2-sided) Printing

Integrated Duplex

## Print Resolution, Black

1200 x 1200 dpi, 2400 Image Quality

## Print Resolution, Colour

1200 x 1200 dpi, 2400 Image Quality

## Copy Speed (A4, Black)

Up to 35 cpm<sup>6</sup>

## Copy Speed (A4, Colour)

Up to 35 cpm<sup>6</sup>

## Time to First Copy (black)

As fast as 6.6 seconds

## Time to First Copy (colour)

As fast as 7.9 seconds

## Reduce / Enlarge Range

25 - 400 %

## A4/Ltr Simplex Scan Speed (Mono)

Up to 80 / 80 sides per minute

## A4/Ltr Simplex Scan Speed (Colour)

Up to 80 / 80 sides per minute

## A4/Ltr Duplex Scan Speed (Mono)

Up to 160 / 160 sides per minute

## A4/Ltr Duplex Scan Speed (Colour)

Up to 160 / 160 sides per minute

## Scan Area, Maximum (mm)

297 x 432 mm

## ADF Scan

DADF (single pass Duplex)

## Scanner Type

Flatbed scanner with ADF

## Scan Technology

CCD

## Optical Scanning Resolution

600 x 600 dpi

## Scan File Formats (Send as)

JPEG, JPG, PDF, Secure PDF, TIFF, XPS, Archival PDF (A-1a, A-1b), Searchable PDF (optional OCR with 1GB RAM and hard disk required), Highly compressed PDF (1GB RAM and hard disk required)

## Scan Destinations

e-mail, FTP, USB Flash drive, USB or Network connected computer, Lexmark Document Solutions Suite (LDSS)

## Modem Speed

ITU T.30, V.34 Half-Duplex, 33.6 Kbps

## Fax Transmission Speed

< 3 seconds per page

## Processor Speed

Quad Core 1.2 GHz

## Memory, standard

2048 MB

## Memory, maximum

4096 MB

## Hard Disk

Included in configuration

## Apple Operating Systems Supported

Apple OS X (10.6, 10.7, 10.8, 10.9, 10.10, 10.11)

## Citrix MetaFrame

Microsoft Windows Server 2008 and 2008 X64 Edition with Citrix XenApp 5.0, Microsoft Windows Server 2008 R2 with Citrix XenApp 6.0, 6.5, Microsoft Windows Server 2012 with Citrix XenApp 6.0, 6.5

## Linux Operating Systems Supported

Debian GNU/Linux 7.0, 8.0, Fedora 21, 22, Linpus Linux Lite Desktop 2.1, Linux Mint 13 LTS, 17 LTS, 17.1 LTS, 17.2 LTS, Linux Mint 2 Debian, PCLinuxOS 2014.12, Red Hat Enterprise Linux WS 4, 5, 6, 7, SUSE Linux Enterprise Desktop 10, 11, 12, SUSE Linux Enterprise Server 10, 11, 12, Ubuntu 12.04 LTS, 14.04 LTS, 15.04, openSUSE 13.1, 13.2, openSUSE Tumbleweed

## Microsoft Windows Operating Systems Supported

Windows XP, Windows XP x64, Windows Vista, Windows Vista x64, Windows Server 2008, Windows Server 2008 x64, Windows 7, Windows 7 x64, Windows Server 2008 R2, Windows 8, Windows 8 x64, Windows Server 2012, Windows 8.1, Windows 8.1 x64, Windows Server 2012 R2, Windows RT, Windows RT 8.1, Windows 10

## Novell Operating Systems Supported

Novell NetWare 6.5 Open Enterprise Server, Novell Open Enterprise Server on SuSE Linux Enterprise Server 10 SP4 (x86 and x64), Novell Open Enterprise Server on SuSE Linux Enterprise Server 11 SP4 (x86 and x64), Novell Open Enterprise Server on SuSE Linux Enterprise Server 12 SP1 (x86 and x64)

## UNIX Operating Systems Supported

Sun Solaris x86 10, 11, IBM AIX 5.3, 6.1, 7.1, Sun Solaris SPARC 10, 11

## Included Paper Handling

Integrated Duplex, 250-Sheet Output Bin, 150-Sheet Multipurpose Feeder, 2 x 500-Sheet Input

## Optional Paper Handling

Staple Finisher, Staple Punch Finisher, 2,500-Sheet Tandem Tray, 3,000-Sheet Tray, Booklet Finisher, 2 x 500-Sheet Tray

## Paper Input Capacity, Standard

Up to 1,150 pages 75 gsm bond

## Paper Input Capacity, Maximum

Up to 6,650 pages 75 gsm bond

## Paper Output Capacity, Standard

Up to 250 pages 75 gsm bond

## Paper Output Capacity, Maximum

Up to 3,500 pages 75 gsm bond

## Paper Weight Range Supported - Standard Tray (gsm)

60 - 256 gsm

## Paper Weight Range Supported - Multipurpose Feeder (gsm)

60 - 256 gsm

## A3

Yes

## ADF

100-Sheet Automatic Document Feeder

## ADF Paper Input Capacity

Up to 100 pages 75 gsm bond

## ADF Paper Output Capacity

Up to 100 pages 75 gsm bond

## Finishing Option

Yes

## Finishing Functions

Offset stacking, Stapling, Hole punching, Booklet fold and saddle stapling

## Number of Paper Inputs, Standard

3

## Number of Paper Inputs, Maximum

6

## Media Types Supported

Card Stock, Envelopes, Labels, Plain Paper, Refer to the Card Stock & Label Guide., Banner Paper

## Media Sizes Supported

10 Envelope, 7 3/4 Envelope, 9 Envelope, A3, A4, A5, B5 Envelope, C5 Envelope, DL Envelope, Executive, Folio, JIS-B5, Legal, Letter, Statement, Universal, Super Tabloid (12 x 18"), Oficio, A6, SRA3

## Standard Ports

One Internal Card Slot, USB 2.0 Specification Hi-Speed Certified (Type B), Gigabit Ethernet (10/100/1000), Two Rear USB 2.0 Specification Hi-Speed Certified ports (Type A), Two Front USB 2.0 Specification Hi-Speed Certified port (Type A)

## Optional Local Ports

External RS-232C serial, Internal 1284-B Bidirectional Parallel

## Optional Network Ports

Internal MarkNet N8360 802.11b/g/n Wireless, NFC, MarkNet N8230 Fiber Ethernet Print Server

## Direct USB

Yes

## Ethernet Network

Yes

## Wireless

Wireless Option

## Network Protocol Support

TCP/IP IPv4, TCP/IP IPv6, TCP, UDP

## Network Printing Methods

LPR/LPD, Direct IP (Port 9100), Enhanced IP (Port 9400), Secure IP (Port 96xx), FTP, TFTP, ThinPrint .print integration, Telnet, IPP 1.0, 1.1, 2.0 (Internet Printing Protocol), Microsoft Web Services WSD, Pull Printing

## Network Management Protocols<sup>1</sup>

HTTP, HTTPs (SSL/TLS), SNMPv1, SNMPv2c, SNMPv3, WINS, IGMP, BOOTP, RARP, APIPA (AutoIP), DHCP, ICMP, DNS, Bonjour, DDNS, mDNS, ARP, NTP, Telnet, Finger,

## Network Security

SNMPv3, 802.1x Authentication: MD5, MSCHAPv2, LEAP, PEAP, TLS, TTLS, IPsec

## Printable Area (metric)

4.2, 3, 3, 3 mm of the top, bottom, right and left edges (within)

## Printer Languages (Standard)

PCL 5c Emulation, PCL 6 Emulation, Personal Printer Data Stream (PPDS), PostScript 3 Emulation, Direct Image, Microsoft XPS (XML Paper Specification), AirPrint™, PDF 1.7 emulation

## Fonts and Symbol Sets

3 of 9 scalable PCL 5e fonts in Narrow, Regular and Wide, 2 PCL bitmap fonts, 39 scalable PPDS fonts, 84 scalable PCL fonts, OCR-A, OCR-B scalable PCL 5e fonts, For more information, refer to the Technical Reference., 165 scalable PostScript fonts, 15 PPDS bitmap fonts

## Laser Cartridge Yields (up to)<sup>5</sup>

, 30,000-page Black and Colour (CMYK) Cartridges

## Photoconductor Estimated Yield

Up to 100,000 Black / 90,000 (CMY) pages, based on 3 average letter/A4-size pages per print job and ~ 5% coverage<sup>4</sup>

## Cartridge(s) Shipping with Product

6,000-page Colour (CMY) Toner Cartridges, 5,000-page Black Toner Cartridge

## Replacement Cartridges:

Product functions only with replacement cartridges designed for use in a specific geographical region. See [www.lexmark.com/](http://www.lexmark.com/) regions for more details.

## Packaged Size (mm - H x W x D)

1247 x 758 x 911 mm

## Packaged Weight, kg

133 kg

## Size (mm - H x W x D)

921 x 615 x 697 mm

## Weight

108.5 kg

## Size, Trays Extended (mm - H x W x D)

1307 x 953 x 1246 mm

## Noise Level, Idle

25 dBA

## Noise Level (Print), Operating

51 dBA

## Duplex Print Noise Level, Operating

53 dBA

## Noise Level (Copy), Operating

55 dBA

## Noise Level (Scan), Operating

53 dBA

## ENERGY STAR

Yes

## Average Power (Hibernate Mode)

0.2 watts

## Average Power (Sleep Mode)

2.9 watts

## Average Power (Ready Mode)

220 watts

## Average Power (Printing)

675 watts

## Average Power (Copying)

700 watts

## Average Power (Scanning)

230 watts

## ENERGY STAR Typical Electricity

### Consumption (TEC)

2.3 kilowatt-hours per week

## Product Guarantee

1-year Onsite Service + 3-years Parts Only guarantee (Maintenance Kit included)

## Product Certifications

ENERGY STAR, ICES-003 Class A, BSMI Class A, VCCI Class A, FCC Class A, NOM-032, UL, cUL, NOM, US FDA/CDRH, IEC 60825-1, CB Report, ISO-532B, CE (EU) DoC, EFTA (CE), KC logo, CCC, C-tick DoC, EuP, CECP, CEL, EC 1275/2008, ECMA-370, TED, SII, TER, SABS, UL-AR, GS Mark, Green Dot, ISO-9296, COC, CCD-035 EcoLogo, Green Mark, EPEAT, Blue Angel (Blauer Engel)

## Maximum Monthly Duty Cycle

Up to 200,000 pages per month<sup>3</sup>

## Recommended Monthly Page Volume

4,000 - 20,000 Pages<sup>2</sup>

## Specified Operating Environment

Altitude: 0 - 2,500 Metres (8,200 Feet), Humidity: 15 to 85% Relative Humidity, Temperature: 10 to 30°C (50 to 86°F)

## License/Agreement Terms

Printers are sold subject to certain license/agreement conditions. See [www.lexmark.com/](http://www.lexmark.com/) printerlicense for details.

## Country of Origin

China (PRC)

## UNSPSC Code

43212110

<sup>1</sup>This product includes software developed by the OpenSSL Project for use in the OpenSSL Toolkit. (<http://www.openssl.org/>)

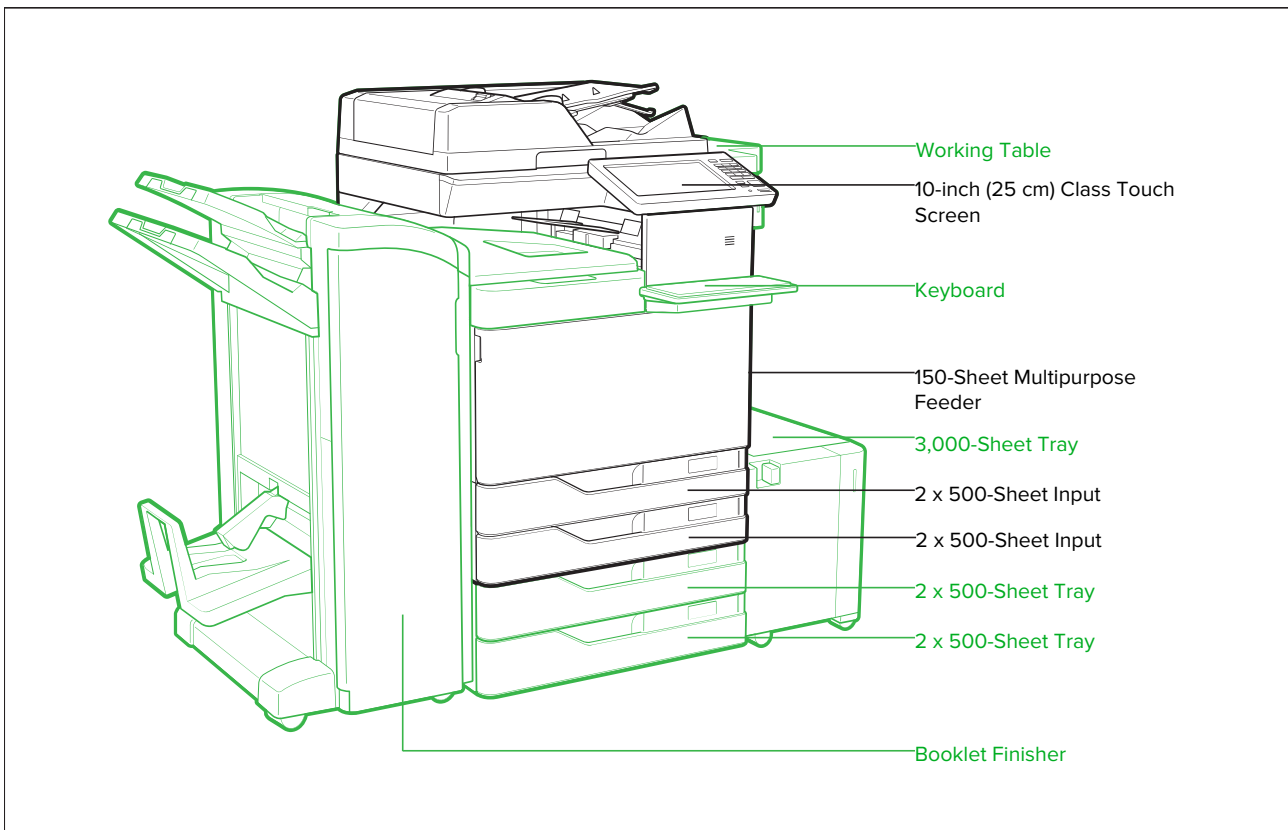
<sup>2</sup>"Recommended Monthly Page Volume" is a range of pages that helps customers evaluate Lexmark's product offerings based on the average number of pages customers plan to print on the device each month. Lexmark recommends that the number of pages per month be within the stated range for optimum device performance, based on factors including: supplies replacement intervals, paper loading intervals, speed, and typical customer usage.

<sup>3</sup>"Maximum Monthly Duty Cycle" is defined as the maximum number of pages a device could deliver in a month using a multishift operation. This metric provides a comparison of robustness in relation to other Lexmark printers and MFPs.

<sup>4</sup>Actual Yield may vary based on other factors such as device speed, paper size and feed orientation, toner coverage, tray source, percentage of black-only printing and average print job complexity.

<sup>5</sup>Average yield at approximately 5% print coverage per colour.

<sup>6</sup>Print and copy speeds measured in accordance with ISO/IEC 24734 and ISO/IEC 24735 respectively (ESAT). For more information see: [www.lexmark.com/ISOspeeds](http://www.lexmark.com/ISOspeeds).



P/N	Toner Cartridges	P/N	Memory Options	P/N	Extended Warranties
76C0PK0	CS/X92x Series, C/XC 9200 Series Black Photoconductor Unit	57X9016	1024MBx32 DDR3-DRAM	2361418	XC9235 Full Extended Guarantee w/ Kits Cap Renewal - 5th year extension
76C0PV0	CS/X92x, C/XC 9200 Series CMY Photoconductor Unit	57X9101	256MB Flash Memory Card	2361431	XC9235 Labor Upgrade w/ Kits Cap Total 4 years
24B6846	XC9235/45/55/65 Cyan Toner Cartridge	57X9110	Traditional Chinese Font Card	2361432	XC9235 Parts & Labor w/ Kits Cap Renewal - 5th year extension
24B6847	XC9235/45/55/65 Magenta Toner Cartridge	57X9112	Simplified Chinese Font Card	2361426	XC9235 Parts Only w/ Kits Cap Renewal - 5th year extension
24B6848	XC9235/45/55/65 Yellow Toner Cartridge	57X9114	Korean Font Card		
24B6849	XC9235/45/55/65 Black Toner Cartridge	57X9115	Japanese Font Card		
25A0013	Staple Cartridges (3 pack)				
54G0W00	Waste Toner Bottle (90K)				
P/N	Paper Handling	P/N	Application Solutions	P/N	Service Parts
32C0050	CS92x, CX92xde 2 x 500-Sheet Tray	40C9201	Card for IPDS	41X1593	Image Transfer Kit
32C0052	CS92x, CX92xde 2500-Sheet Tandem Tray (A4)	40C9200	Forms and Bar Code Card	41X1860	Fuser 120V
26Z0089	3000-Sheet Tray	40C9202	Card for PRESCRIBE Emulation	41X1861	Fuser 230V
26Z0084	MS911, MX910, MX911 Inline Stapler	57X0085	Lexmark Secure Element	41X1598	Black Developer unit
26Z0091	MS911, MX91x Banner Media Tray			41X1594	CMY Developer unit Maintenance Kit
26Z0082	MS911, MX91x Booklet Finisher (4-Hole)	27X0309	MarkNet N8360 Wireless Print Server plus NFC	41X1977	Multipurpose Feeder Maintenance Kit
26Z0080	MS911, MX91x Staple Punch Finisher (4-Hole)	27X0142	Lexmark MarkNet™ N8230 Fibre Ethernet Print Server	41X1592	ADF Maintenance Kit
		57X7050	English Keyboard Kit		
		57X7051	French Keyboard Kit		
		57X7053	German Keyboard Kit		
		57X7054	Spanish Keyboard Kit		
		1021231	Parallel (10') Cable		
		1021294	USB (2 Meter) Cable		
		14F0100	RS-232C Serial Interface Card		
		14F0000	Parallel 1284-B Interface Card		
		27X0225	MarkNet N8350 802.11b/g/n Wireless Print Server		
		SPD0002	Surge Protective Device, 220-240V		
P/N	Furniture	P/N	Connectivity		
32C0053	Cabinet with casters				
26Z0090	Working Shelf				
P/N	Memory Options	P/N	Extended Warranties		
27X0400	320+ GB Hard Disk	2361417	XC9235 Full Extended Guarantee Upgrade w/ Kits Cap Total 4 years		
57X9020	2GB x32 DDR3 RAM				