



Mini DisplayPort Dongle Adapters

- Adapts a Mini DisplayPort Source device to VGA, DVI or HDMI compatible displays
- Supports DisplayPort 1.2 specification
- Supports up to a 1080p resolution (HDMI)
- Supports up to a 1920x1200 resolution (DVI & VGA)
- Lifetime Warranty

Specifications: Mini DisplayPort Dongle Adapters

Electrical Characteristics:

Voltage Rating:	30v
Conductor Resistance:	@ 20°C max
Insulation Resistance:	10MΩ/km
Time Delay:	5.2ns/m (max)
Attenuation:	5.02dB@100-450MHz 7.69dB@1GHz
	12.595dB@2GHz 17.495dB@3GHz
	22.395dB@4GHz 27.295dB@5GHz
	32.195dB@6GHz 37.095dB@7GHz

Physical Characteristics:

Operating Temperature:	0°C to 50°C
Storage Temperature:	-25°C to 70°C
Approvals:	CE
Warranty:	Lifetime

Conductor (2 Conductors, 5 Pair):

Conductor:	32AWG (7/0.08TC)
Insulation:	FM-PE, ID:0.63±0.05mm
Color:	White/Brown, White/Red, White/Orange, White/Green White/Blue
Drain:	32AWG (7/0.08TC)
Shield:	HD-PE ID:0.63±0.05 AL-Mylar Wrap Coverage—100%

Conductor (5 Conductors):

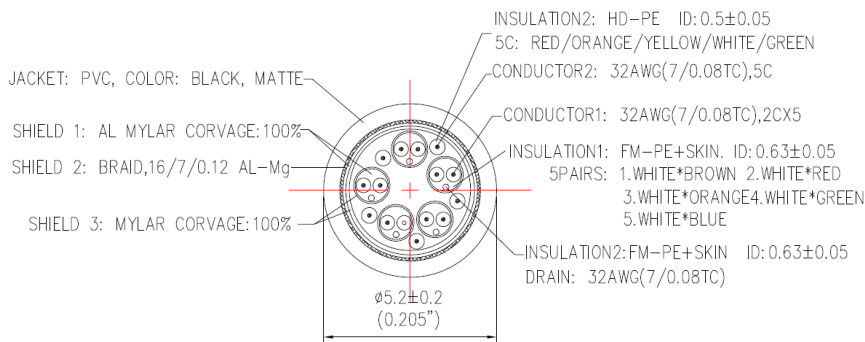
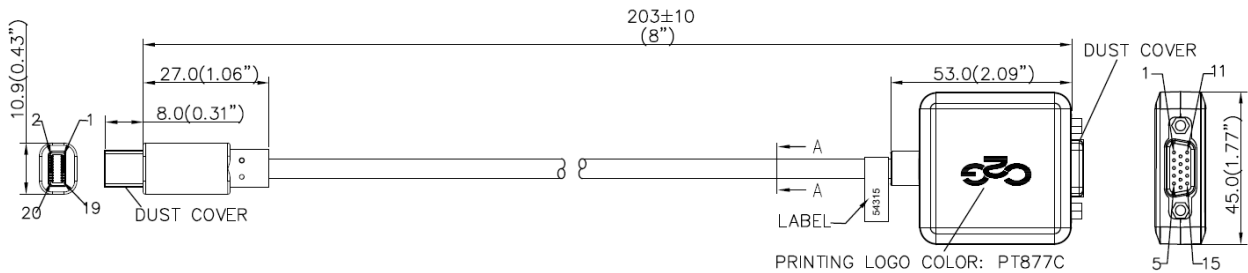
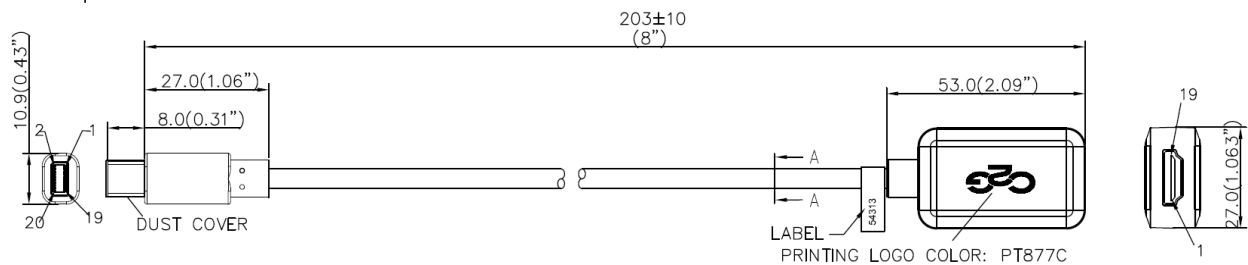
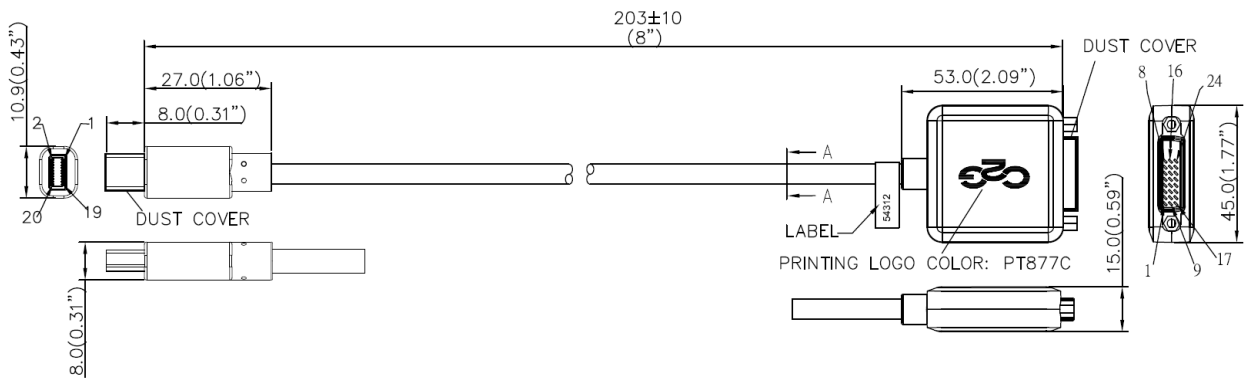
Conductor:	32AWG (7/0.08TC)
Insulation:	HD-PE, ID:0.5±0.05mm
Color:	Red/Orange/Yellow/Green/ White

Overall Cable

Jacket:	PVC
Shield:	AL-Mylar—Coverage 100%
	Braid—16/9/0.12
Drain:	2:30AWG (7/0.08 BC)
OD:	5.2±0.2



Specifications: Mini DisplayPort Dongle Adapters



Part Number	Description	Weight (Kg)
84311	20cm Mini DisplayPort Male to Single Link DVI-D Female Adapter Converter—Black	
84312	20cm Mini DisplayPort Male to Single Link DVI-D Female Adapter Converter—White	
84313	20cm Mini DisplayPort Male to HDMI Female Adapter Converter—Black	
84314	20cm Mini DisplayPort Male to HDMI Female Adapter Converter—White	
84315	20cm Mini DisplayPort Male to VGA Female Adapter Converter—Black	
84316	20cm Mini DisplayPort Male to VGA Female Adapter Converter—White	

