

Enclosure and Rack Systems Cable Management

Organize large volumes of cables from networking switches and patch panels in enclosure and rack systems



Contents

NetShelter SX Enclosures - 3

As the number of IT components within each rack enclosure continues to increase, so do the number of power and data cables. APC by Schneider Electric offers a large selection of vertical and horizontal cable managers for enclosures to address today's cable routing demands



Open Frame Racks - 11

The NetShelter 2 and 4 Post Open Frame racks offer a quality solution for the economical installation of rack mountable equipment and can be paired with high-density vertical cable managers for maximum cable volume.

Horizontal Cable Management - 17

Cable managers for patching and cross-over applications featuring, smooth radius plastic fingers (cable guides) that protect the cable from kinking and binding.



Enclosure Cable Management

Rear Vertical Zero U Accessory Channels and Cable Management Accessories

Toolless Vertical Cable Management
APC specializes in toolless install cable managers by the use of the zero U channels located in the rear of every NetShelter SX enclosure.

- > Toolless mount Rack PDUs
- > Toolless mount vertical cable organizers
- > Additional vertical 0U accessory channels:

AR7502 – Vertical 0U Accessory Channel, 42U (Qty 2)
AR7552 – Vertical 0U Accessory Channel, 45U (Qty 2)
AR7572 – Vertical 0U Accessory Channel, 48U (Qty 2)
AR7505 – Vertical Cable Organizer, Center Rear Mount
AR7511 – Narrow Vertical 0U Accessory Channel, 42U

AR8442 – Vertical Cable Organizer, 8 Cable Rings, Zero U

- > Supports 35 to 55 Cat 6/Cat 6a data cables
- > Mounts toollessly on the vertical 0U accessory channel

AR8443A – Vertical Fiber Organizer

- > Installs toollessly
- > Takes up one bay of channel
- > Fiber spool only kit available AR8444



AR8444

AR8457 – Data Distribution 0U SX Panel

- > Installs toollessly
- > Takes up one bay of channel
- > Toollessly mount up to four DDC cable heads, 24 ports for rack-to-rack connections



AR7710 – Cable Containment Brackets with Rack PDU Mounting

- > Low profile vertical cable management
- > Support 60 to 90 Cat 6/Cat 6a data cables
- > Mount toollessly on the vertical 0U accessory channel



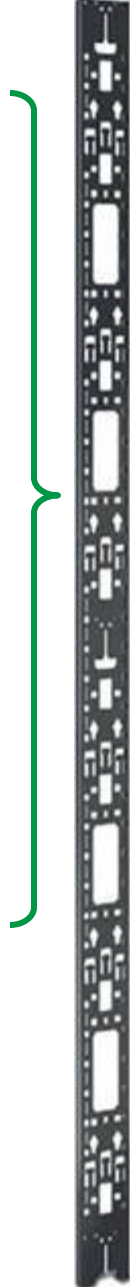
AR7711 – Zero U Accessory Bracket

- > Mount Rack PDUs rear facing orientation
- > Support 3rd party accessories in numerous mounting configurations
- > Mount 1U or 2U patch panels or other networking accessories



AR8621 – Hook-and-Loop Cable Managers (Qty 10)

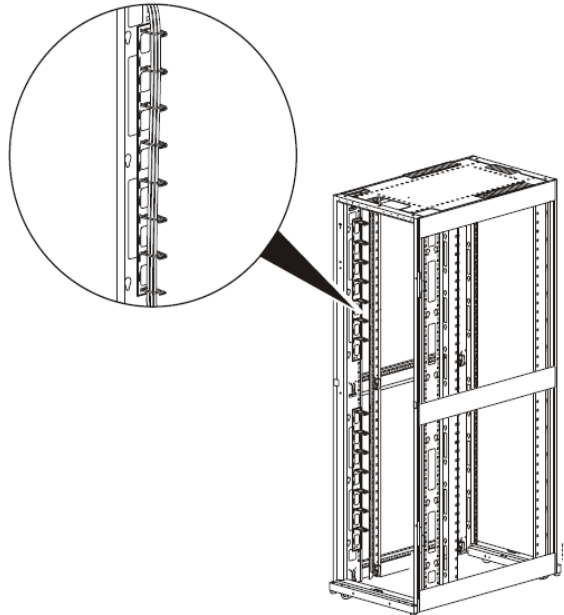
- > Mount toollessly on the vertical 0U accessory channel
- > Secure and bundle cables with hook-and-loop ties



Rear Zero U Vertical Cable Managers

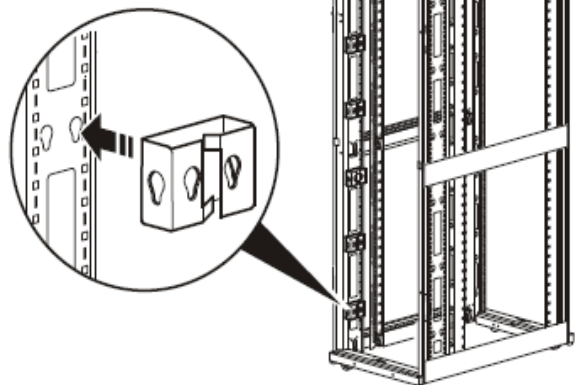
AR8442 – Vertical Cable Organizer 8 Cable Rings, Zero U

- Support 35 to 55 CAT 6/CAT 6a data cables
- Mount toollessly on the rear cable organizer



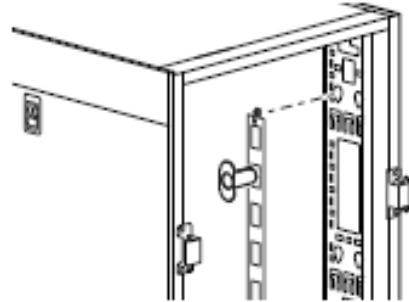
AR7710 - Cable Containment Brackets with PDU Mounting

- Low profile vertical cable management
- Support 60 to 90 CAT 6/CAT 6a data cables
- Mount toollessly on the rear cable organizer



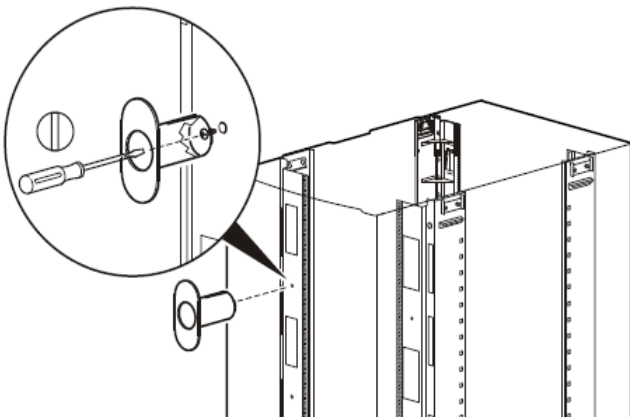
AR8443A - Vertical Fiber Organizer

- Manage fiber within a NetShelter SX enclosure
- Promote proper bend radius of the fiber
- Mitigate any kinking or damaging of the cable
- Includes two organizers and four spools

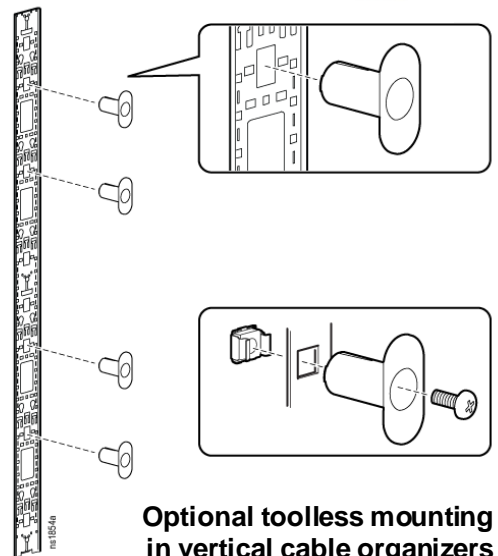


AR8444 - Spools for Vertical Fiber Organizer

- Four plastic spools for fiber management
- Toollessly mount to the vertical cable organizers of any NetShelter SX enclosure
- Attach with screws to the mounting rails of 750mm wide enclosures (Excludes AR3140, AR3340, AR3347 which includes pre-installed vertical cable managers)



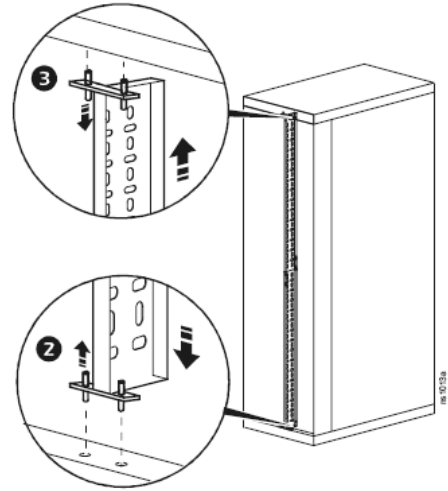
**750-mm Wide Enclosures:
AR3150, AR3157, AR3350, AR3357**



**Optional toolless mounting
in vertical cable organizers**

AR7505 – Center, Rear-Mount Vertical Cable Organizer

- Allows cable routing or Rack PDU installation vertically in the rear of the enclosure.
- Consists of three pieces, including a smaller piece that allows for installation in a 48U enclosure.



AR8654 – Cable Fall (Radius Drop) for NetShelter Enclosures and Racks and Overhead Cable Ladders (Qty 2)

- Provides a proper bend radius for cabling routed into/out of enclosures or overhead cable management systems. Attaches in multiple locations including the enclosure roof holes, open frame rack sides, vertical cable manager openings and rungs of overhead cable ladder systems. Secure cabling in place using slots in the accessory and hook-and-loop fasteners straps (AR8621 not provided).



Installed on rear roof hole of AR3100



Installed on cable ladder (left – top, right – underneath)

AR7711 – Zero U accessory mounting bracket

- Allows cable routing or Rack PDU installation vertically in the rear of the enclosure.
- Consists of three pieces, including a smaller piece that allows for installation in a 48U enclosure.



Pass-through Enclosure Side Panels

AR7305A - NetShelter SX 42U x 1070mm D Pass -Through Side Panels

AR7313 – 42U x 1200mm D

AR7315 – 45U x 1070mm D

AR7316 – 45U x 1200mm D

AR7314 – 48U x 1200mm D

AR7375 – 48U x 1070mm D

- Allow cable pass through to adjacent racks
- Holes contain brushes to control airflow
- Includes two panels



Installed on AR3340 enclosure

750-mm Wide (AR3x5x) Enclosures

High Density Vertical Cable Management

Vertical Cable Managers for 750mm W NetShelter SX Enclosures

- Unique sizes and matching covers for each height enclosure, 42, 45, and 48U
- Mount up to 4 per enclosure
- New 6" durable fingers at 1U increments allow 35% more cabling per u-space
- Cable retainers provided standard covers optional
- 42U – AR7580A
- 45U – AR7585
- 48U – AR7588

Hinged Covers for NetShelter SX 750 mm Wide Vertical Cable Manager

- Covers conceal all vertical cable routing
- Covers open left and right
- Snap hinges provide trouble-free access to cables
- 42U – AR7581A
- 45U – AR7586
- 48U – AR7589



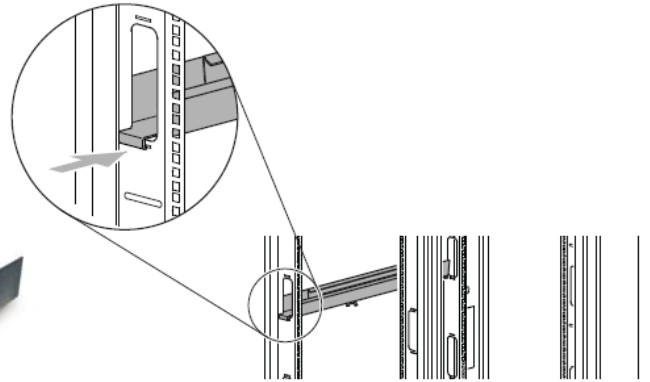
AR7582 – Replacement Cable Retainers

- Qty. 6 cable retainers with snap hinges



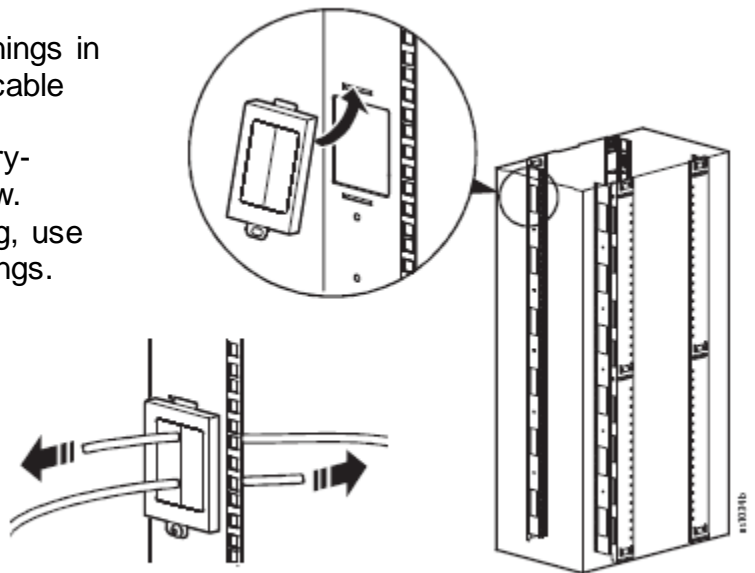
AR8008BLK/AR8016ABLK– Horizontal Cable Organizer Side Channel

- Cable management accessory to help eliminate cable stress and maintain a neat, organized cable layout within an enclosure or rack.



AR7706– Vertical Mounting Rail Brush strip kit

- Includes six pieces
- 750-mm wide enclosures feature openings in the front vertical mounting flanges for cable routing.
- These openings are sealed with factory-installed plastic covers to restrict airflow.
- If covers are removed for cable routing, use the Brush Strip Kit to re-seal the openings.



AR7707 – 1U Cable Rings

- Includes eight cable rings.
- Fastens cables to the vertical mounting rails of the enclosure.
- For use with 750mm wide enclosures in networking applications.



750-mm Wide (AR3x4x) Networking Enclosures

Optimized NetShelter SX design for enhanced networking application support.

- Networking style mounting rails with pre-installed vertical cable managers at the front of the enclosure
- Smooth plastic fingers (cable guides) provide proper bend radius for cables
- Additional set of vertical cable managers available (AR7717A) for replacement or installation in the back of the enclosure

Networking Enclosure Applications

Superior solution for side airflow Cisco Nexus 7018, Catalyst, and MDS networking switches

- Vertical mounting rails with open rail design for improved side-to-side airflow
- Duct kits for large and small switches



Cable routing diagram

(2) Cisco Catalyst 6509 –
AR3140 Enclosure and AR7715 Side
Airflow Duct Kits



AR3140 – 42U x 750mm W x 1070mm D
AR3340 – 42U x 750mm W x 1200mm D
AR3347 – 48U x 750mm W x 1200mm D



Cisco Nexus 7018 –
AR3340 Enclosure and AR7742 Side
Airflow Duct Kit



Open Frame Racks

NetShelter 2- and 4 Post Open Frame Racks

The NetShelter 2 and 4 post open frame racks offer a quality solution for the economical installation of rack-mountable equipment, where security at the individual rack level is not required. Open frame racks provide unobstructed airflow and fast, easy access to installed equipment, and can be paired with high density vertical cable managers for maximum cable volume. The 2 Post Rack offers cost-conscious customers a simple solution for supporting networking equipment and patching applications. The 4 post offers more strength and features, for supporting servers and networking equipment. Recent improvements to the 4 post racks increase cable management options and flexibility.



AR203A/AR204A – 4 Post Rack

- Threaded #12-24 holes (AR204A)
- Square holes for cage nuts and server mounts (AR203A)
- Design for quick and easy assembly
- Steel Construction
- 44U mounting spaces (84-in tall)
- Black Finish
- Multiple toolless mounting points for hook and loop fasteners
- Multi-position Rack PDU mounting bracket option
- Reversible stabilization plates
- Grounding inserts
- Weight Capacity (static load) 2000.00 lbs (909 kg)



AR201 – 2 Post Rack

- Self squaring design
- 45U mounting spaces (84-in tall)
- Black Finish
- 6061-T6 Structural grade aluminum
- Weight Capacity (static load) 750.00 lbs (340.19 kg)

Open Frame Rack Vertical Cable Management

Performance Vertical Cable Managers

- Ships fully assembled ready to deploy
- Fits two and four post open frame racks
- 84" H, Single and Double-sided cable channel in 6, 10, 12-in wide options
- Slam to latch full length door opens to left or right
- New, best-in-class, high capacity cable finger design with smooth radius fingers at 1U increments for superior cable protection
- Cable management backplate (single-sided models) for toollessly mounting Rack PDUs and a variety of cable management accessories within the vertical cable manager
- Cable management midspan bracket (double-sided models) for toolless accessory installation and division of interior cable management space for deeper or shallower channel space



Single-sided
AR8615 – 6"
AR8635 – 10"
AR8665 – 12"



Double-sided
AR8625 – 6"
AR8645 – 10"
AR8675 – 12"



**6" High Capacity Cable Finger Design –
Slimmest, best-in-class design**

Toolless Mounting Rack Accessories

Cable management backplate (single-sided models) or midspan (double-sided models) bracket allow:

- Toollessly mount, front or rear, multiple vertical Rack PDUs
- 19" patch panels can be installed vertically (double-sided managers only)
- Cable divider (AR8680) installation for creating multiple cable pathways
- Toolless installation of cable management accessories (AR8621/AR8444)

AR8444– Toolless Fiber Spools

- For organizing fiber cabling
- Various mounting positions throughout channel of vertical cable managers



19" EIA Vertical
Rack Mount
Space

AR8675 – 12"
double-sided shown



AR8621 – Toolless Hook and Loop Cable Managers

- Toolless for organizing data cable bundles
- Various mounting positions on back panel of vertical cable managers



Additional Performance Accessories

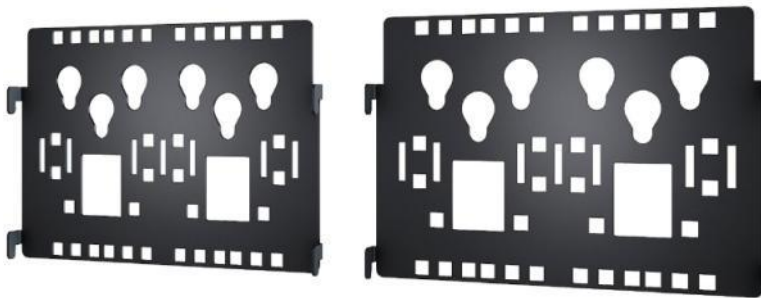
AR8680 – Performance, Cable Divider/Organizer (2 per kit)

- For creating multiple cable pathways within 2 and 4 Post Vertical Cable Managers.
- Includes tie-off features for securing cabling using toolless hook-and-loop cable managers (AR8621).



AR8681, AR8682, AR8683 – Performance, Midspan Accessory Bracket for Double-sided Vertical Cable Managers

- Additional midspan accessory brackets for use with 6, 10, and 12" double-sided Performance Vertical Cable Managers.
- Removeable midspan brackets in double-sided managers allow re-arrangement of the interior space for 40-60, 50-50, or 60-40 split
- Includes 2 midspan accessory brackets



AR8682 – 10" midspan bracket shown

AR8678/AR8679 – End of Row Panel for Performance Vertical Cable Managers

- Panel provides clean professional look to the end of a 2 or 4 post row of racks
- Simple install with fasteners



AR8678 for Single Sided



Application



Application – shown:

- AR203A – 4 Post Open Frame Rack
- 2 x AR8615 back-to-back – AR8615 - Vertical Cable Manager, Single-Sided, 6" width
- AR8678 – End of Row Panel for Single-Sided Vertical Cable Manager
- AR8679 – End of Row Panel for double-sided to close gap from front to back



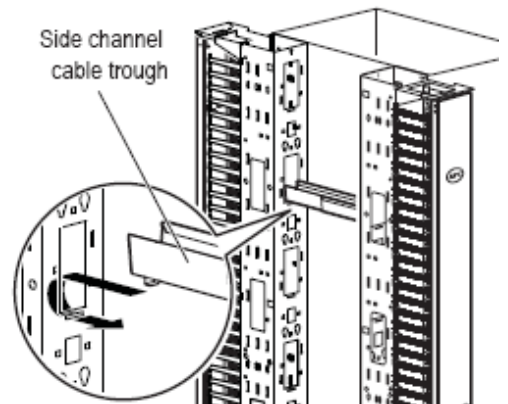
AR8679 for Double Sided



Application

AR8008BLK/AR8016ABLK– Horizontal Cable Organizer Side Channel

- Cable management accessory to help eliminate cable stress and maintain a neat, organized cable layout within an enclosure or rack.
- Mounts in between vertical cable managers



Open Frame Rack Vertical Cable Management

Valueline Vertical Cable Managers

- Ships disassembled for assembly at end user site
- Fits two and four post open frame racks
- 84 in (2133mm) and 96 in (2438 mm) height, Single and Double-sided cable channel in 6, and 12-in wide options
 - 96" (2438 mm) Height in Single-side only
- Full length door assembles onsite and snaps in place and door opens to left or right
- New, best-in-class, high capacity cable finger design with smooth radius fingers at 1U increments for superior cable protection
- Cable management backplate for toollessly mounting cable management accessories within the vertical cable manager space



Single-sided

AR8715 – 6" W x 84" H
AR8765 – 12" W x 84" H
AR8728 – 6" W x 96" H

Double-sided

AR8725 – 6" W x 84" W
AR8775 – 12" W x 84" H
AR8675 – 12" W x 96" H

**6" Deep High Capacity Cable Finger
Design – Slimmest, best-in-class design**

High Density Horizontal Cable Management

High Density Horizontal Cable Managers - 6" deep, plastic finger-style

Includes:

- 6-in, high-capacity cable fingers, slimmest best-in class design
- Covers with snap hinges for trouble-free access to cables
- Hardware to install (2) alike horizontal cable managers back-to-back for double-sided applications (see application image below)



AR8612 – Horizontal Cable Manager, 1U Single Side with Cover



AR8606 – Horizontal Cable Manager, 2U Single Side with Cover

- Rear cable pass-through holes and square mounting holes for toolless hook-and-loop cable managers (AR8621)



AR8603A – Horizontal Cable Manager, 2U Single Side with Cover

- Rear cable pass-through holes with brush strips and slots for AR8008BLK/AR8016ABLK side channels
- Bottom panel provides cable tie-off locations and square mounting holes for toolless hook-and-loop cable managers (AR8621)



AR8605 – High Density Horizontal Cable Manager, 3U Single Side with Cover

- 6-in fingers, rear cable pass-through holes with brush strips and slots for AR8008BLK/AR8016ABLK side channels



Double-sided configuration

- Quantity (2) AR8606 shown installed back-to-back

Horizontal Cable Management

Horizontal Cable Managers - 4" deep, plastic finger-style

AR8602 – Horizontal Cable Manager, 1U Single Side with Cover

- Includes covers with snap hinges for trouble-free access to cables.



AR8600 – Horizontal Cable Manager, 2U Single Side with Cover

- Includes covers with snap hinges for trouble-free access to cables.



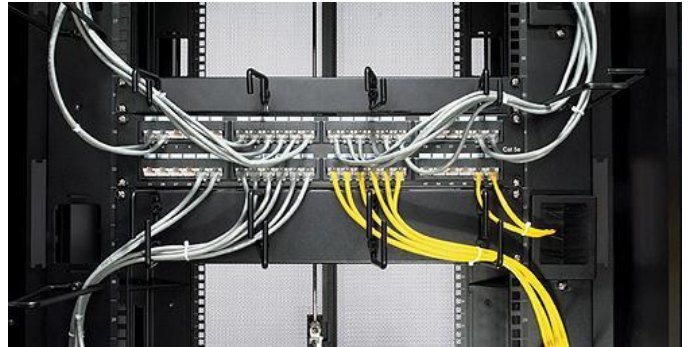
AR8601 – Horizontal Cable Manager, 2U Double Side with Cover

- Includes covers with snap hinges for trouble-free access to cables.



Horizontal Cable Organizers

Horizontal Cable Organizers – metal ring-style



AR8113A – Cable Management Rings

- Includes five large and five small rings.
- Fastens cables to posts, mounting rails, or braces.



AR8425A and AR8426A – 1U and 2U Horizontal Cable Organizers



AR8428 – Horizontal Cable Organizer 2U with pass through holes



AR8427A – Horizontal Cable Organizer 2U with cable fingers



AR8429 – 1U Horizontal Cable Organizer with Brush Strip

