

NetShelter[®] SX Air Recirculation Prevention Kit—AR7708

Overview

The NetShelter SX Air Recirculation Prevention Kit prevents warm, exhaust air from the installed equipment from recirculating forward and re-entering the equipment. By closing gaps between the vertical mounting flanges and the side panels of the enclosure, air is forced through the enclosure and out of the rear of the enclosure.

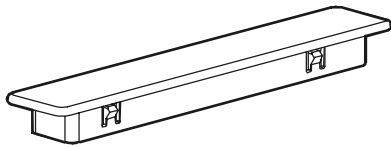


The cable routing covers and airflow restriction strips are applied only to the front vertical mounting rails.

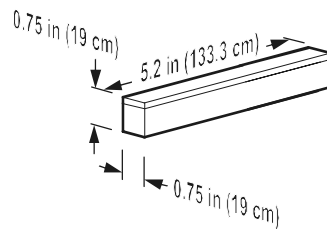
Note

Position the Air Recirculation Prevention Kit differently to ensure proper airflow to equipment that requires side airflow within the enclosure. See “Equipment with side airflow requirements” on page 4 for these additional installation instructions.

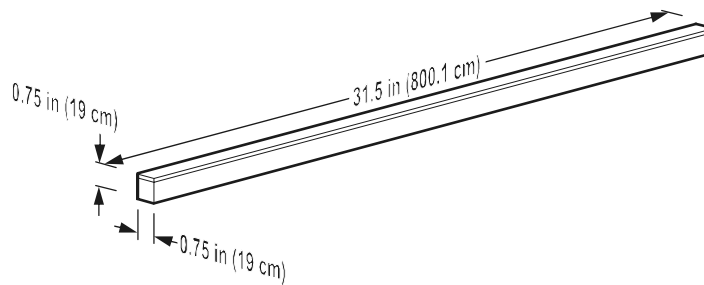
Inventory



Cable routing covers (16)



Airflow restriction strip (4)

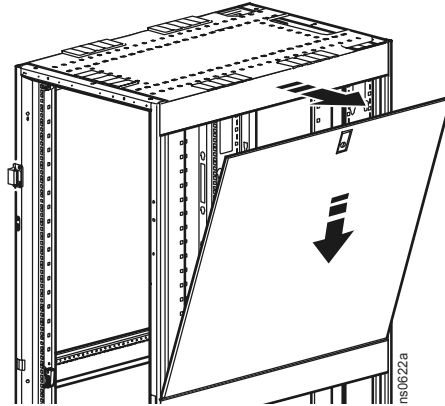


Airflow restriction strip (4)

Installation

Removing the enclosure's side panels

1. Use the key to unlock the panel, if necessary.
2. Slide the panel latch down and pull the top of the panel away from the enclosure.
3. Release the latch and lift the panel up and off the narrow horizontal lip at the bottom of the panel frame.



Installing the mounting flange airflow restriction strips

1. Remove the paper backing from the adhesive side of the 31.5-in (800.1-mm) airflow restriction strips.
2. Attach the strips vertically on the front top right, front top left, front bottom right, and front bottom left vertical mounting flanges.



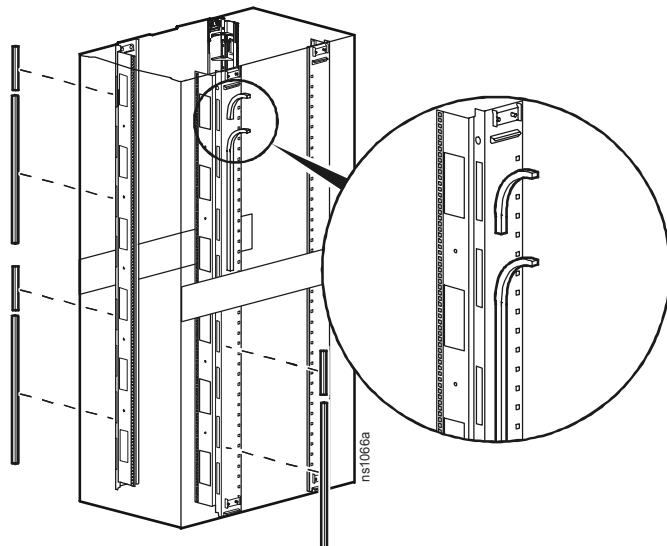
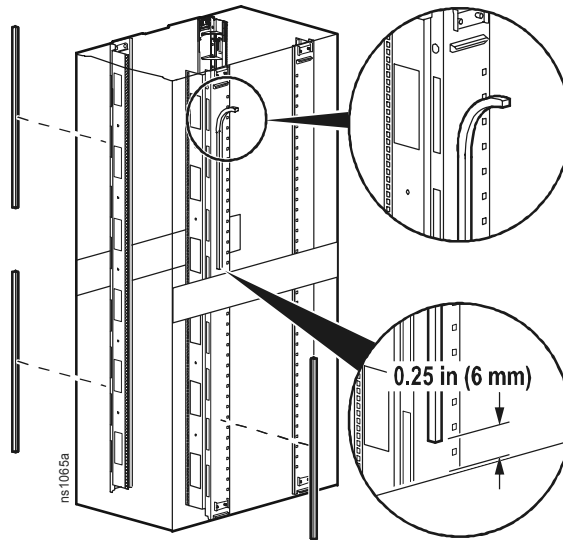
Caution

To prevent damage to the airflow restriction strips during removal and installation of the side panels, a 0.25-in (6-mm) gap must be left between the enclosure's side brace and the airflow restriction strip.



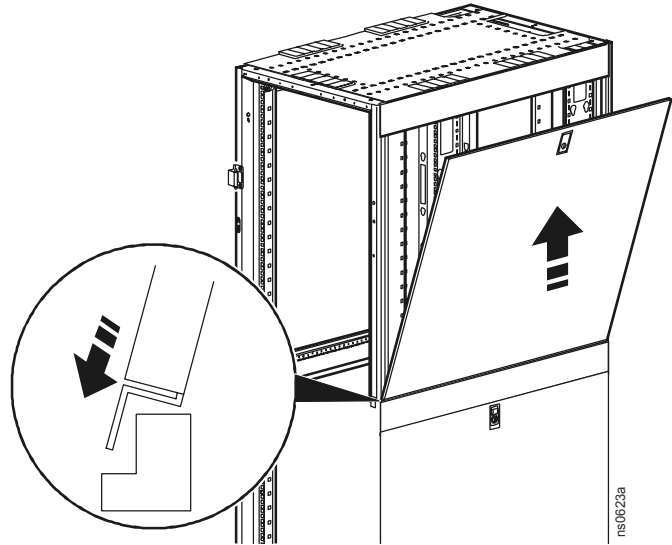
Note

An additional strip must be attached for 48-U enclosures. Attach the 5.2-in (133.3-mm) strip vertically above or below the longer strip.



To re-install the side panels

1. Engage the bottom of the panel securely with the lip before pushing the top of the panel forward into place.
2. Slide the panel latch up.



Installing the power cable cutout covers



Note

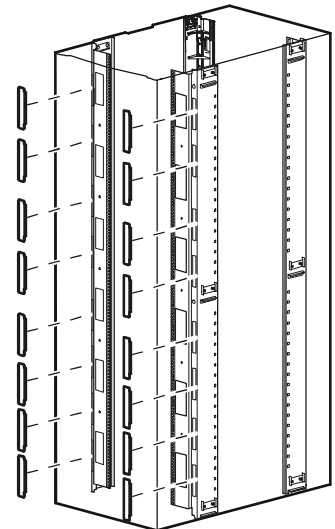
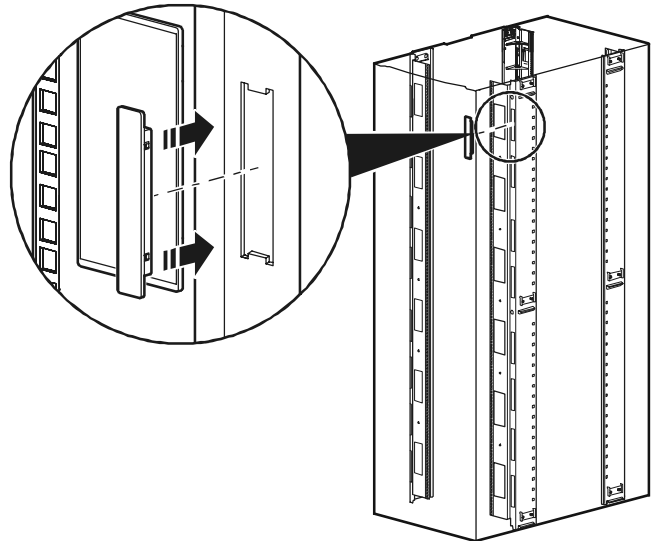
The front vertical mounting flange may need to be pushed back to install these covers. The rails can then be returned to their original location.

Insert the cover into the cutout located on the front mounting flange. Repeat for the 14 cutouts on a 42-U enclosure or the 16 cutouts on a 48-U enclosure.



Note

To remove the cover, push the back of the cover out and away from the cutout.

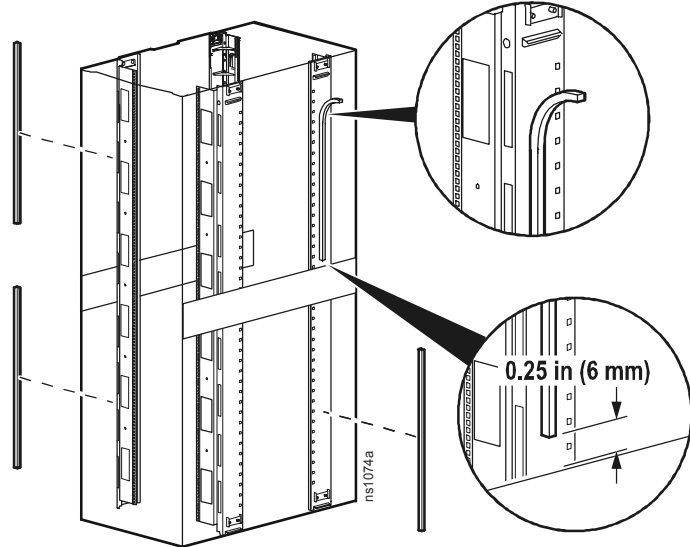


Equipment with side airflow requirements

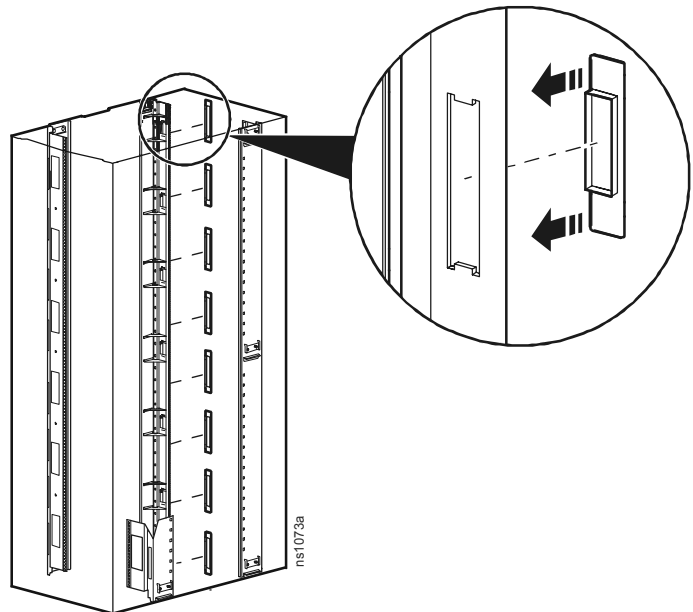
For enclosures with equipment that requires side airflow installed, the air recirculation equipment must be positioned properly to allow airflow to the equipment. Determine which side of the enclosure is the air intake side for the equipment and then follow these instructions.

Mounting flange airflow

restriction strips. The airflow restriction strips on the air intake side of the enclosure need to be installed on the rear vertical mounting flange

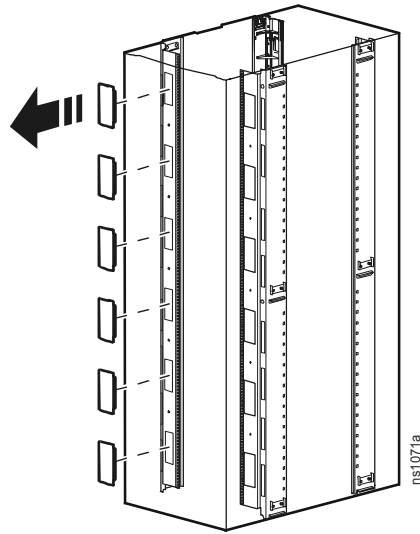


Power cable cutout covers. The power cable cutout covers on the air intake side of the enclosure need to be installed in the rear vertical mounting flange.

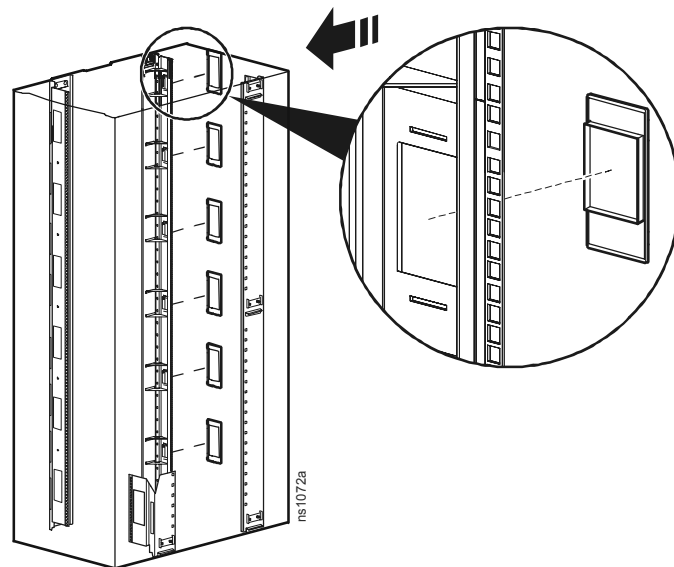


Factory installed cable cutout covers. The vertical mounting flange factory-installed cable cutout covers need to be removed and repositioned to the rear of the enclosure on the air intake side.

1. Remove the cable cutout covers from the front vertical mounting flange on the air intake side of the enclosure.



2. Re-install the covers in the cable cutout holes of the rear vertical mounting flange on the air intake side of the enclosure.

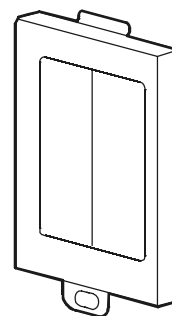


Additional airflow prevention accessories



Note

If factory-installed cable cutout covers are removed for cable routing, cover the cutouts with mounting rail brush strips (AR7706).



APC Worldwide Customer Support

Customer support for this or any other APC product is available at no charge in any of the following ways:

- Visit the APC Web site to access documents in the APC Knowledge Base and to submit customer support requests.
 - **www.apc.com** (Corporate Headquarters)
Connect to localized APC Web sites for specific countries, each of which provides customer support information.
 - **www.apc.com/support/**
Global support searching APC Knowledge Base and using e-support.
- Contact an APC Customer Support center by telephone or e-mail.
 - Regional centers:

Direct InfraStruXure Customer Support Line	(1)(877)537-0607 (toll free)
APC headquarters U.S., Canada	(1)(800)800-4272 (toll free)
Latin America	(1)(401)789-5735 (USA)
Europe, Middle East, Africa	(353)(91)702000 (Ireland)
Japan	(0) 3 5434-2021
Australia, New Zealand, South Pacific area	(61) (2) 9955 9366 (Australia)

- Local, country-specific centers: go to **www.apc.com/support/contact** for contact information.

Contact the APC representative or other distributor from whom you purchased your APC product for information on how to obtain local customer support.

Entire contents © 2005 American Power Conversion. All rights reserved. Reproduction in whole or in part without permission is prohibited. APC, the APC logo, NetShelter, and InfraStruXure are trademarks of American Power Conversion Corporation and may be registered in some jurisdictions. All other trademarks, product names, and corporate names are the property of their respective owners and are used for informational purposes only.

