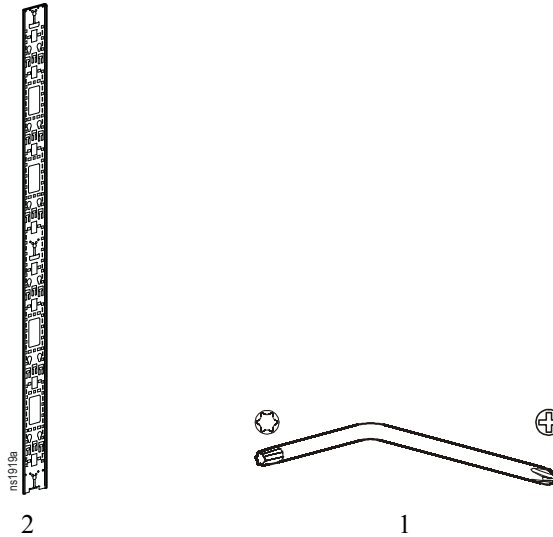


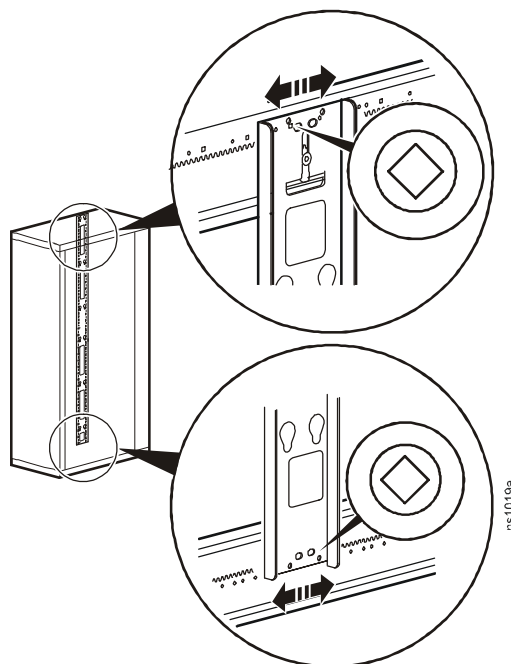
NetShelter™ SX Vertical 0 U Accessory Channel— Installation

Inventory

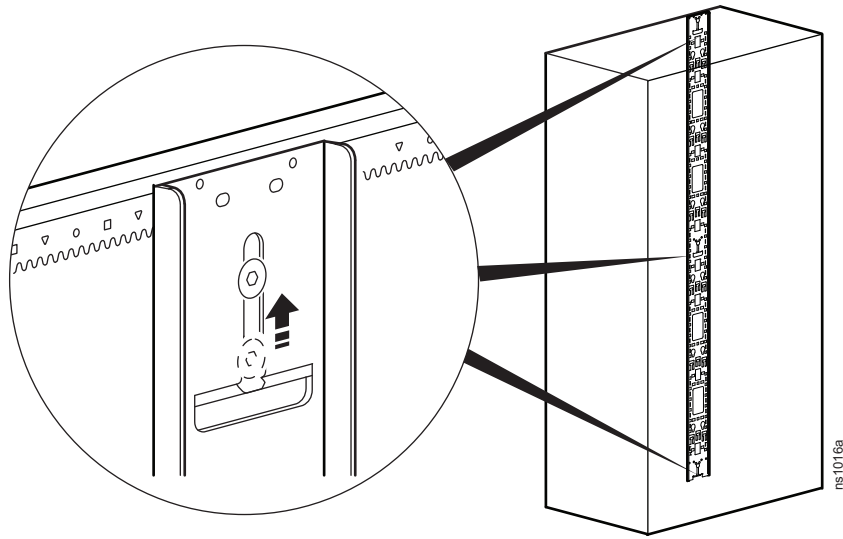


Installation

1. Lift and set the rear cable channel onto the side braces of the enclosure, ensuring that the three hooks on the back of the rear cable channel hook onto the side braces of the enclosure.
2. Move the rear cable channel to the final location.
3. Align the rear cable channel so that the same symbols are visible through the holes at the top and bottom of the rear cable channel.



4. Push up the screw in the rear cable channel and tighten the screw to lock it into place.



Customer support and warranty information is available at the APC Web site, www.apc.com.

© 2011 APC by Schneider Electric. APC, the APC logo, and others are owned by Schneider Electric Industries S.A.S., American Power Conversion Corporation, or their affiliated companies. All other trademarks are property of their respective owners.

990-2243B-001
8/2011