

Lenovo

ThinkVision

ThinkVision T32UD-40

User Guide

Machine Types: 64B0

Think

Product numbers

A25315UT0
64B0GAR1WW

First Edition (May, 2025)

© Copyright Lenovo 2025.

LENOVO products, data, computer software, and services have been developed exclusively at private expense and are sold to governmental entities as commercial items as defined by 48 C.F.R. 2.101 with limited and restricted rights to use, reproduction and disclosure.

LIMITED AND RESTRICTED RIGHTS NOTICE: If products, data, computer software, or services are delivered pursuant a General Services Administration "GSA" contract, use, reproduction, or disclosure is subject to restrictions set forth in Contract No. GS-35F-05925.

Contents

Safety information	iv
General Safety guidelines	iv
Chapter 1. Getting started	1-1
Shipping contents	1-1
Notice for use	1-2
Product overview	1-3
Setting up your monitor	1-7
Registering your option	1-13
Chapter 2. Adjusting and using your monitor	2-1
Comfort and accessibility	2-1
Adjusting your monitor image	2-3
Selecting a supported display mode	2-5
Understanding power management	2-6
Caring for your monitor	2-7
Detaching the monitor base and stand	2-7
Wall Mounting (Optional)	2-7
Chapter 3. Reference information	3-1
Monitor specifications	3-1
The recommendation for DP Daisy Chain	3-3
Troubleshooting	3-4
Manually installing the monitor driver	3-6
Service information	3-7

Appendix A. Service and Support.....	A-1
Registering your option	A-1
Online technical support.....	A-1
Telephone technical support	A-1
Appendix B. Notices.....	B-1
Recycling information	B-2
Trademarks.....	B-3
Power cords and power adapters	B-3

Safety information

General Safety guidelines

For tips to help you use your computer safely, go to:
<http://www.lenovo.com/safety>

Before installing this product, read the Safety Information.

الرجاء قراءة معلومات السلامة قبل تركيب هذا المنتج.

Преди инсталиране на продукта, прочетете Информация за безопасност.

Před instalací tohoto produktu si přečtěte bezpečnostní informace.

Før du dette tages i brug produkt, skal du læse sikkerhedsoplysningerne.

Lesen Sie die Sicherheitshinweise, bevor Sie das Gerät installieren.

Πριν εγκαταστήσετε αυτό το προϊόν, διαβάστε τις Πληροφορίες για την ασφάλεια.

Antes de instalar este producto, lea la Información de seguridad.

Ennen kuin asennat tämän tuotteen, lue Turvallisuustiedot.

Avant d'installer ce produit, lisez les Informations de sécurité.

לפני התקנת המוצר, חשוב לקרוא את המידע בנושא בטיחות.

Prije ugradnje proizvoda pročitajte obavijesti o sigurnosti.

A termék használatba vétele előtt olvassa el a biztonsági tudnivalókat.

Sebelum memasang produk ini, baca Informasi Keselamatan.

Prima di installare il prodotto, leggere le informazioni sulla sicurezza.

本製品を設置する前に、安全に関する情報をお読みください。

본 제품을 설치하기 전에 안전 정보를 숙지하십시오.

Lees de veiligheidsinformatie voorafgaand aan het installeren van dit product.

Les sikkerhetsinformasjonen før du installerer produktet.

Przed instalacją tego produktu należy przeczytać Informacje dotyczące bezpieczeństwa.

Antes de instalar este produto, leia as Informações de segurança.

Antes de instalar este produto, leia as Informações de Segurança.

Înainte de a instala acest produs, citiți informațiile privind siguranța.

Перед установкой продукта прочтите раздел "Информация о безопасности".

Pred inštaláciou tohto výrobku si prečítajte bezpečnostné informácie.

Pred namestitvijo tega izdelka preberite varnostne informacije.

Pre instaliranja ovog proizvoda, pročitajte Bezbednosne informacije.

Läs säkerhetsinformation innan du installerar den här produkten.

โปรดอ่านข้อมูลด้านความปลอดภัยก่อนที่จะติดตั้งผลิตภัณฑ์นี้

Bu ürünü kurmadan önce Güvenlik Bilgilerini okuyun.

Перш ніж встановлювати пристрій, прочитайте інформацію з техніки безпеки.

在安装本产品之前, 请阅读“安全事项”。

安裝本產品前, 請閱讀安全資訊。

Note:

The output rating(100W, 20V/5A) is designed based on the Lenovo VDM developed by Lenovo. This product can achieve the output rating(100W, 20V/5A) when it connects products that support Lenovo VDM developed by Lenovo.

Chapter 1. Getting started

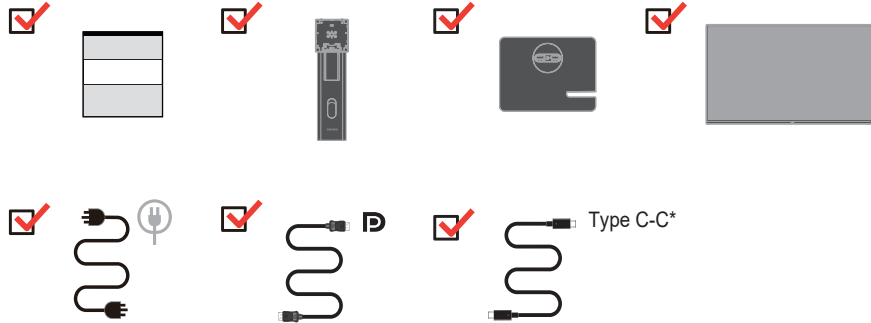
This User's Guide provides detailed operation instructions for the user. For quick instruction overview, please see the Setup Poster for brief information.

T32UD-40 supports Lenovo Accessories and Display Manager -**ThinkColour**.

Shipping contents

The product package should include the following items:

- Information Flyer
- Stand
- Base
- Flat Panel Monitor
- Power Cord
- DisplayPort Cable
- Type C-C Cable



Note1 *: Depending on many factors such as the processing capability of peripheral devices, file attributes, and other factors related to system configuration and operating environments, the actual transfer rate using the various USB connectors on this device will vary and is typically slower than the data rates as defined by the respective USB specifications: - 5 Gbit/s for USB 3.1 Gen 1; 10 Gbit/s for USB 3.1 Gen 2 & 20 Gbit/s for USB 3.2.

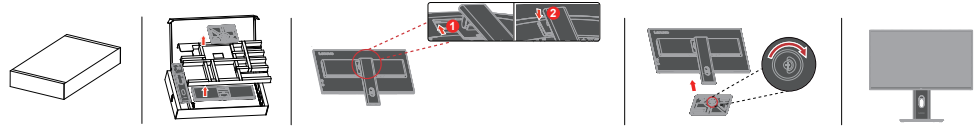
Note2: We suggest to use the cable that we provide in order to obtain better user experience.

The unit weight: 9.2Kg

Notice for use

To set up your monitor, please see the illustrations below.

Note: Do not touch the monitor within the screen area. The screen area is glass and can be damaged by rough handling or excessive pressure.



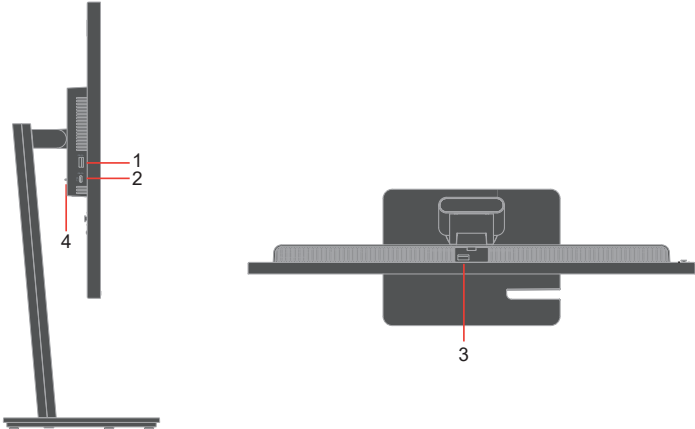
1. Take out the accessories and top cushion.
2. Mounting the stand to monitor's recess.
 - Insert the upper stand clamp diagonally over the monitor card slot.
 - Gently press the stand.
 - Ensure that the support is completely stuck into the card slot of the rear shell of the monitor and firmly installed.
3. Insert base towards the stand and tighten the thumbscrew clockwise.
4. Stand up the monitor with both hands carefully.

Note: To install a VESA mount, please see “Wall Mounting (Optional)” on page 2-10.

Product overview

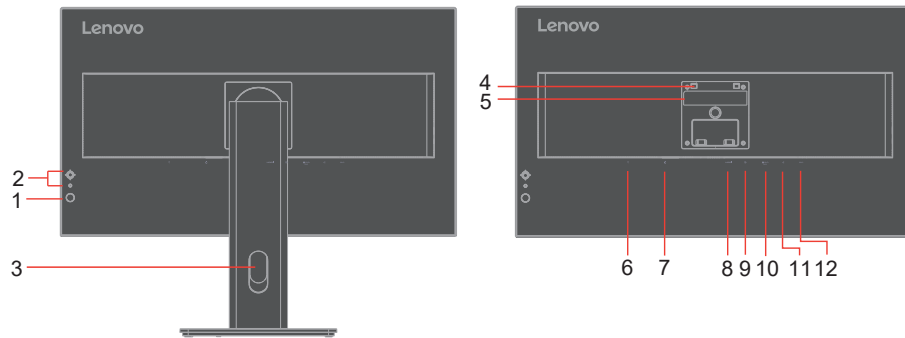
This section will provide information on adjusting monitor positions, setting user controls, and using the cable lock slot.

Side and top view



No.	Name	Description
1	USB 3.2 Gen 1 Type-A downstream port	Connect your USB device.
2	USB-C downstream port	Connect your USB-C device.
3	USB 3.2 Gen 1 Type-A downstream port	Connect your USB device.
4	Stand release button	Releases the stand from the monitor.

Back View

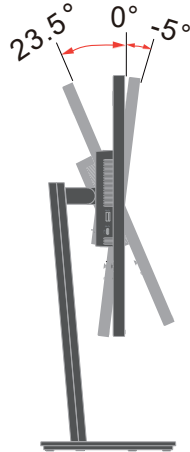


No.	Name	Description
1	Power On/Off button	To turn the monitor on or off.
2	Function buttons	To use the OSD controls. (For information on how to utilize these keypad controls, please see “Adjusting your monitor image” on page 2-3.)
3	Cable management slot	Used to organize cables by routing them through the slot.
4	VESA mounting holes (100 mm x 100 mm)	Used for wall-mounting the monitor through a VESA-compatible wall-mount kit.
5	Regulatory label	Lists the regulatory approvals.
6	Power connector	Connect the power cable.
7	Kensington anti-theft lock	Equipped with a Kensington anti-theft lock located on the rear of your monitor.
8	HDMI 2.1 port	Connect to your computer using a HDMI cable.
9	DP 1.4 port	Connect to your computer using an DP cable.
10	USB C port	Connect to your computer using an USB type C-C cable
11	Ethernet port	Connect one end of the network cable connector to the Ethernet port.
12	USB 3.2 Gen 1 Type-A downstream port	Connect your USB device.

Types of adjustments

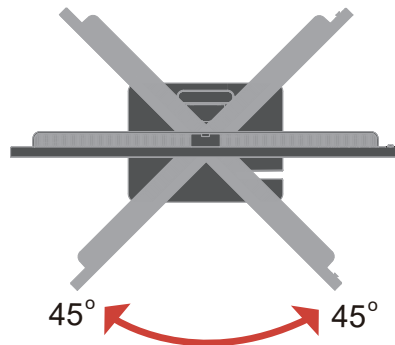
Tilt

Please see the illustration below for an example of the tilt range.



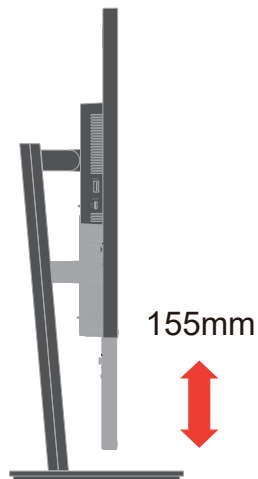
Swivel

With the built-in pedestal, you can tilt and swivel the monitor for the most comfortable viewing angle.



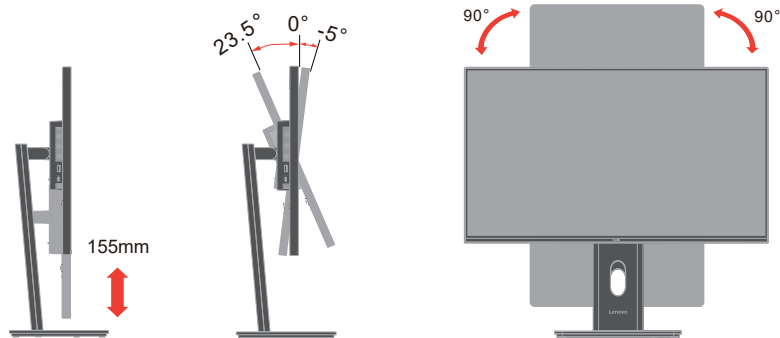
Height Adjustment

For height adjustment, user needs to press down or lift up the monitor.



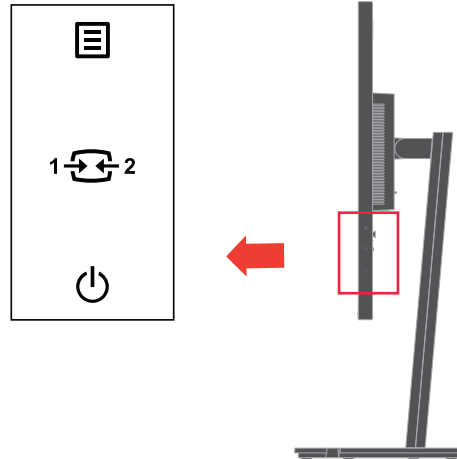
Monitor pivot

- Adjust the screen position before rotating the monitor screen. (Make sure that the monitor screen ascent to its highest point, and it inclines backward at 23.5°.)
- then rotate clockwise /counterclockwise until the monitor stops at 90°.



Monitor controls

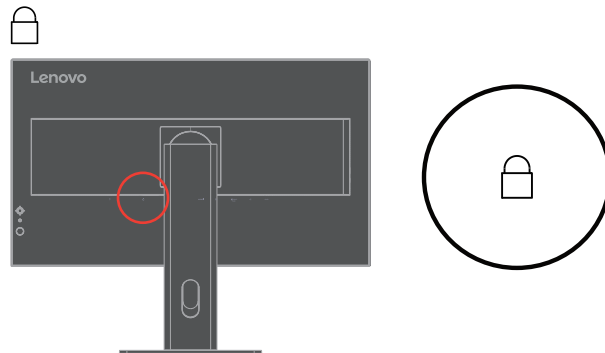
The keypad controls on the back cover are accesses to various functions.



For information on how to utilize these keypad controls, please see “Adjusting your monitor image” on page 2-3.

Kensington anti-theft lock

Your monitor is equipped with a Kensington anti-theft lock located on the rear of your monitor.



Kensington Lock Slot	2.5mm x 6mm
----------------------	-------------

Setting up your monitor

This section provides information on how to set up your monitor.

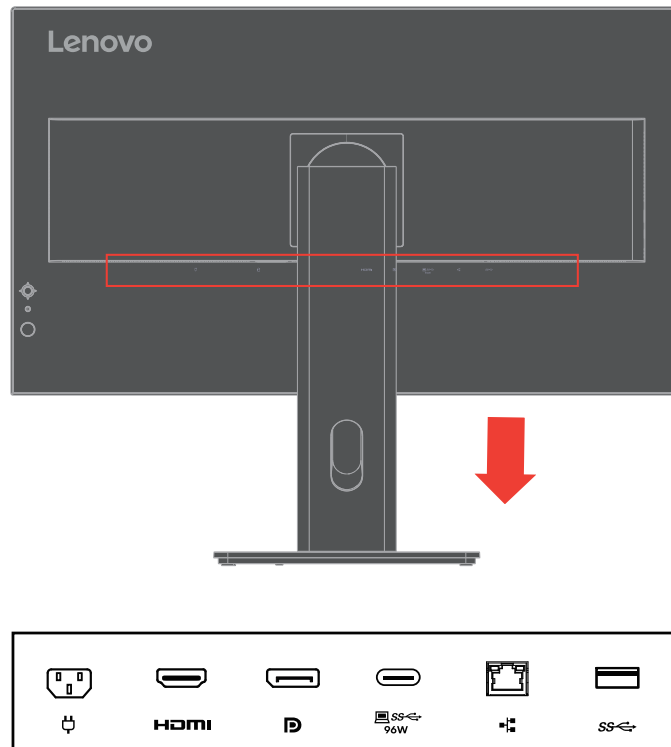
Connecting and turning on your monitor

Note: Be sure to read the Safety information on page iv before carrying out this procedure.

1. Power off your computer and all attached devices, and unplug the computer power cord.

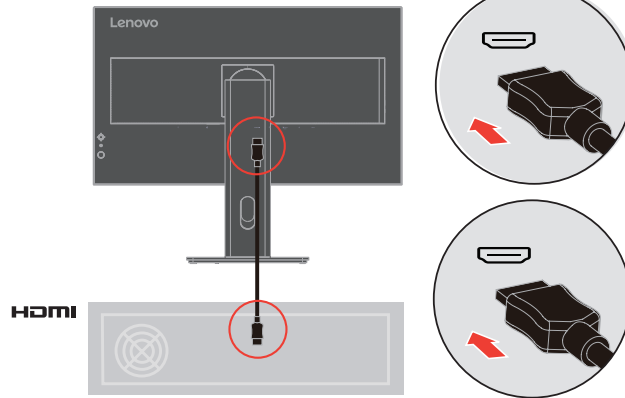


2. Connect the cables according to below icon indication.



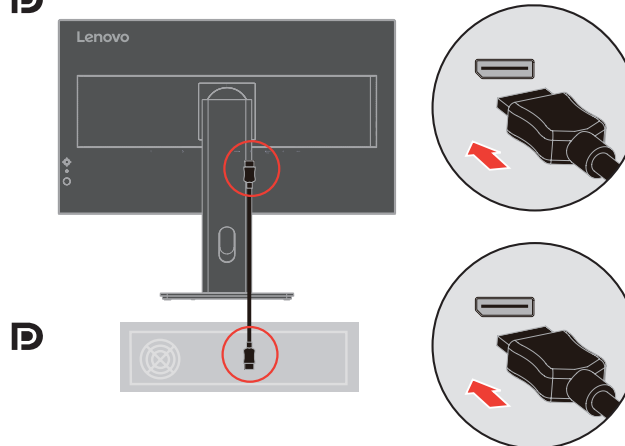
-
3. For computer in HDMI connecting.
Lenovo recommends that customers who require to use the HDMI input on their monitor purchase the "Lenovo HDMI to HDMI cable OB47070" www.lenovo.com/support/monitoraccessories.

HDMI



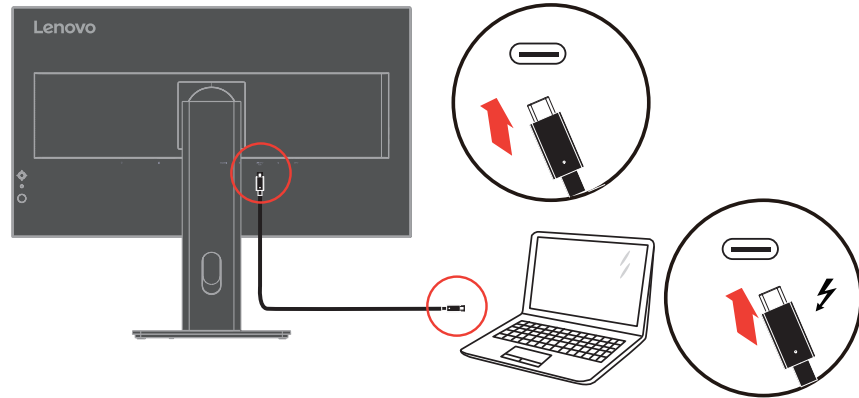
4. For computer in DisplayPort connecting.
Note 1: Monitors sold in NA include an DP cable.
Note 2: For other regions Lenovo recommends that customers who require to use the DP Cable on their monitor purchase the "Lenovo DisplayPort to DisplayPort Cable 0A36537" www.lenovo.com/support/monitoraccessories.

DP

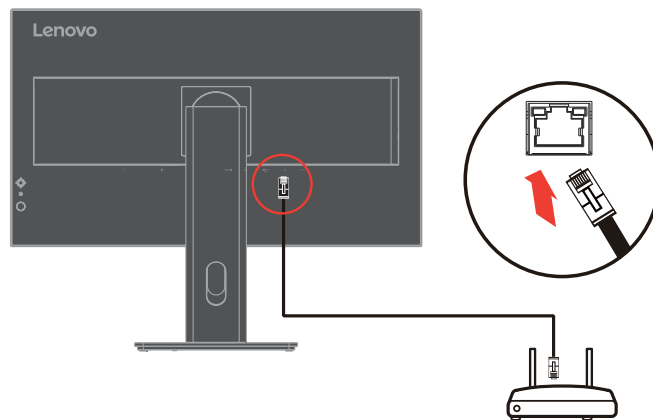


-
5. For computer in USB type C-C connecting.

Note: Other downstream USB ports without load, the smart Power max up to 100W (VDM).



6. Connect one end of the network cable connector to the Ethernet interface of the monitor and the other end to the router.



Note1: To connect USB cable to enable the function.

Note2: The USB-C mode always stay in the networked standby mode , there is no standby&sleep in this mode.

Note3: This product can support 10M/100M/1000M Ethernet. Please be sure the setting is correct in OS if the network cannot work well.

-
7. Connect one end of the USB cable to the USB downstream terminal on the back & side & top of the monitor, and connect the other end of the USB cable to an appropriate USB port on your device.

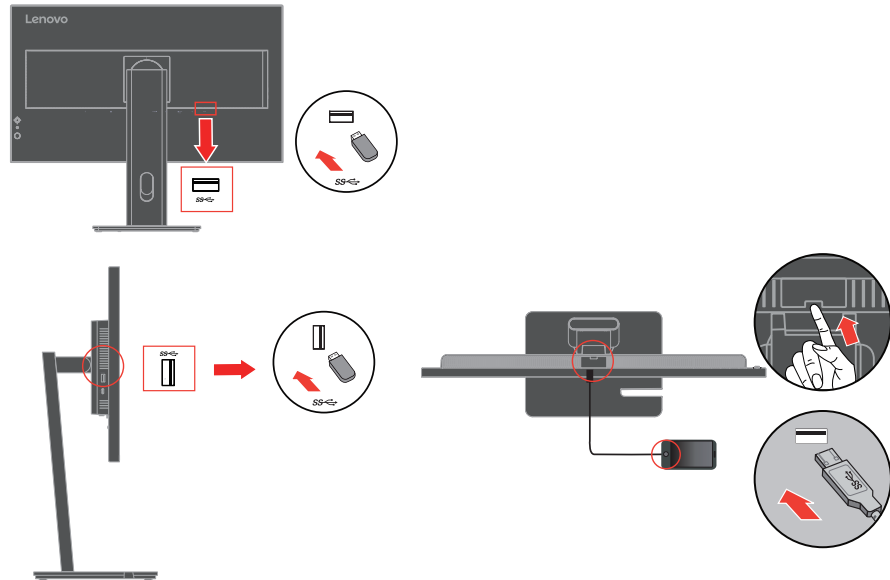
Note: The USB downstream port does not provide power while the monitor switch is off.

Back USB A port, 5V/0.9A

Left USB A port, 5V/0.9A

Upper USB A BC1.2 port, 5V/2.4A

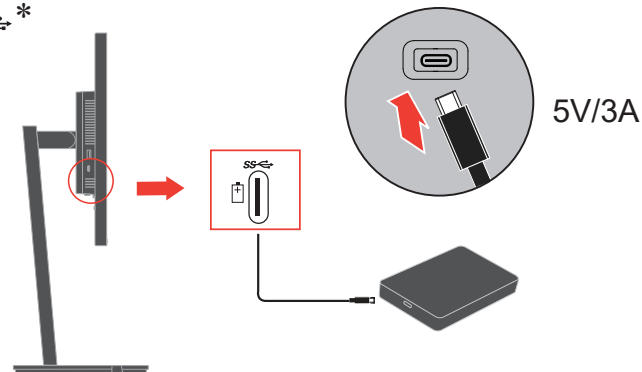
SS←*



*If there are any * tag, you can consult the comments on page 1-1.

8. For computer in USB type C port.

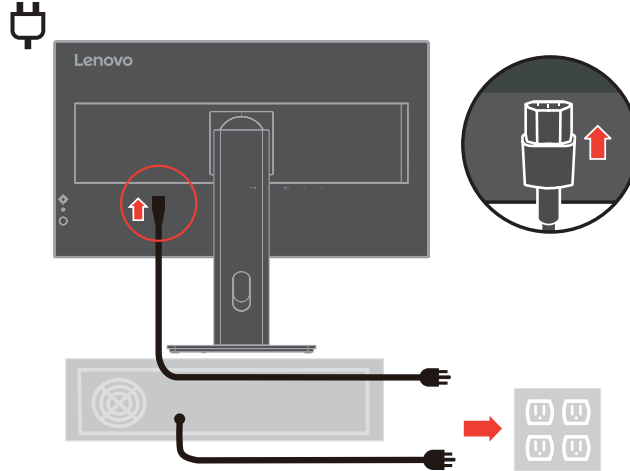
SS←*



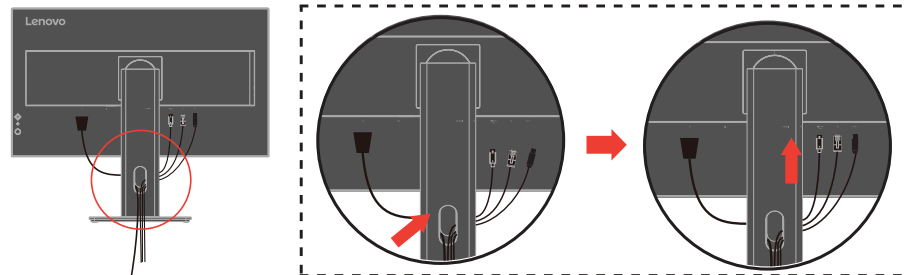
*If there are any * tag, you can consult the comments on page 1-1.

-
9. Insert the power cord into the monitor, then plug the monitor power cord and the computer cord into grounded electrical outlets.

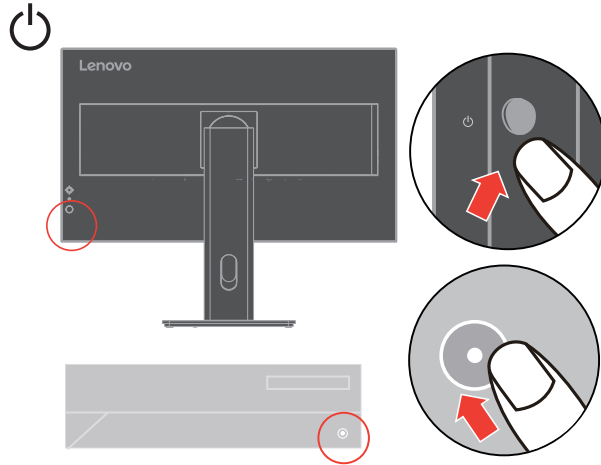
Note: A certified power supply cord has to be used with this equipment. The relevant national installation and or equipment regulations shall be considered. A certified power supply cord not lighter than ordinary polyvinyl chloride flexible cord according to IEC 60227 (designation H05VV-F 3G 0.75mm² or H05VVH2-F2 3G 0.75mm²) shall be used. Alternative a flexible cord be of synthetic rubber according to IEC 60245 (designation H05RR-F 3G 0.75mm²) shall be used.



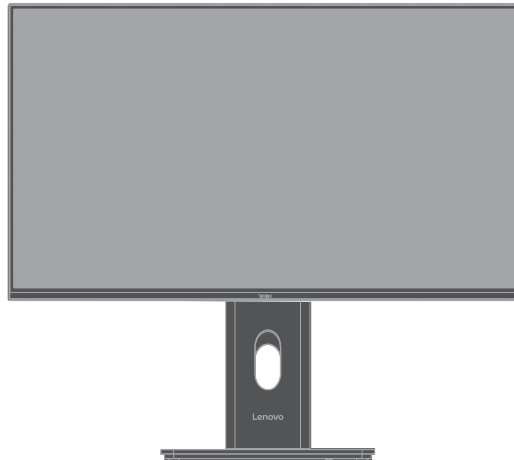
10. Assembled cables with Line Cleaner as shown below.



11. Power on the monitor and the computer.



12. When you install the monitor driver, download the driver that corresponds to your monitor model from the Lenovo website https://pcsupport.lenovo.com/solutions/t32ud_40. Refer to the “Manually installing the monitor driver” on page 3-5 section to install the driver.



Registering your option

Thank you for purchasing this Lenovo™ product. Please take a few moments to register your Product and provide us with information that will help Lenovo to better serve you in the future. Your feedback is valuable to us in developing product and services that are important to you, as well as in developing better ways to communicate with you. Register your option on the following Web site:

<http://www.lenovo.com/register>

Lenovo will send you information and updates on your registered product unless you indicate on the Web site questionnaire that you do not want to receive further information.

Chapter 2.Adjusting and using your monitor

This section will give you information on adjusting and using your monitor.

Comfort and accessibility

Good ergonomic practice is important to get the most from your personal computer and to avoid discomfort. Arrange your workplace and the equipment you use to suit your individual needs and the kind of work that you perform. In addition, use healthy work habits to maximize your performance and comfort while using your computer. For more detailed information on any of these topics, visit the Healthy Computing Web site at:

<http://www.lenovo.com/healthycomputing/>.

Arranging your work area

Use a work surface of appropriate height and available working area to allow you to work in comfort.

Organize your work area to match the way you use materials and equipment. Keep your work area clean and clear for the materials that you typically use and place the items that you use most frequently, such as the computer mouse or telephone, within the easiest reach.

Equipment layout and setup play a large role in your working posture. The following topics describe how to optimize equipment setup to achieve and maintain good working posture.

Positioning and viewing your monitor

Position and adjust your computer monitor for comfortable viewing by considering the following items:

- **Viewing distance:** Recommended viewing distance between the eye and the monitor screen is 1.5 x the diagonal of the screen. Solutions in meeting this required distance in cramped office situations include pulling desk away from wall or divider to make room for monitor, using panel or compact displays placing the monitor in the desk corner, or placing the keyboard in an adjustable drawer to create a deeper working surface.
- **Monitor height:** Position the monitor so your head and neck are in a comfortable and neutral (vertical, or upright) position. If your monitor does not have height adjustments, you might have to place books or other sturdy objects under the base of the monitor to achieve the desired height. A general guideline is to position the monitor such that the top of the screen is at or slightly below your eye-height when you are comfortably seated. However, be sure to optimize your monitor height so the line of site between your eyes and the center the monitor suits your preferences for visual distance and comfortable viewing when your eye muscles are in a relaxed state.
- **Tilt:** Adjust the tilt of your monitor to optimize the appearance of the screen content and to accommodate your preferred head and neck posture.
- **General location:** Position your monitor to avoid glare or reflections on the screen from overhead lighting or nearby windows.

The following are some other tips for comfortable viewing of your monitor:

- Use adequate lighting for the type of work you are performing.
- Use the monitor brightness, contrast, and image adjustment controls, if equipped, to optimize the image on your screen to meet your visual preferences.
- Keep your monitor screen clean so you can focus on the screen's contents.

Any concentrated and sustained visual activity can be tiring for your eyes. Be sure to periodically look away from your monitor screen and focus on a far object to allow your eye muscles to relax. If you have questions on eye fatigue or visual discomfort, consult a vision care specialist for advice.

Quick tips for healthy work habits

The following information is a summary of some important factors to consider to help you remain comfortable and productive while you use your computer.

- **Good posture starts with equipment setup:** The layout of your work area and the setup of your computer equipment have a large effect on your posture while using your computer. Be sure to optimize the position and orientation of your equipment by following the tips outlined in "Arranging your work area" on page 2-1 so you can maintain a comfortable and productive posture. Also, be sure to use the adjustment capabilities of your computer components and office furniture to best suit your preferences now and as your preferences change over time.
- **Minor changes in posture can help avoid discomfort:** The longer you sit and work in front of your computer, the more important it is to observe your working posture. Avoid assuming any one posture for an extended period of time. Periodically make minor modifications in your posture to help deter any discomforts that might arise. Make use of any adjustments that your office furniture or equipment provide to accommodate changes in posture.
- **Short, periodic breaks help ensure healthy computing:** Because computing is primarily a static activity, it is particularly important to take short breaks from your work. Periodically, stand up in front of your work area, stretch, walk for a drink of water, or otherwise take a short break from using your computer. A short break from work gives your body a welcome change in posture and helps to ensure you remain comfortable and productive while you do work.

Accessibility information

Lenovo is committed to providing greater access to information and technology to people with disabilities. With assistive technologies, users can access information in the way most appropriate to their disability. Some of these technologies are already provided in your operating system; others can be purchased through vendors or accessed at: https://lenovo.ssbartgroup.com/lenovo/request_vpat.php

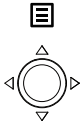







Adjusting your monitor image

This section describes the user control features used to adjust your monitor image.

Using the direct access controls

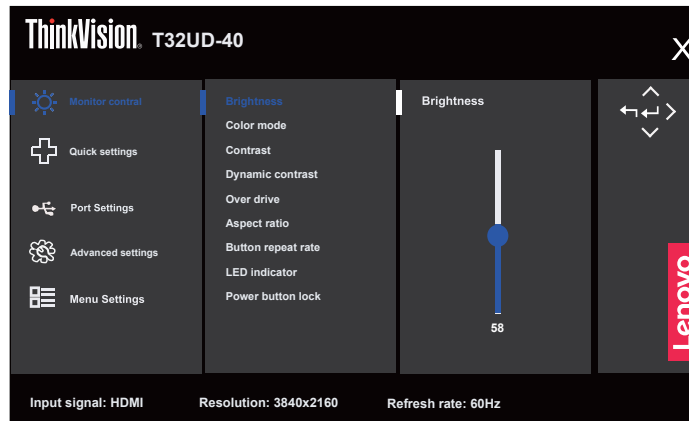
The direct access controls can be used when the On Screen Display (OSD) is not displayed.

Table 2-1. Direct access controls



	Icon	Control	Description
		Menu/OK	<ul style="list-style-type: none"> • Press to open main menu while there is no OSD on the screen. • Press to enter next level on main menu or sub menu , or move backwards through the sub menus. • Press and hold for 10 seconds to Lock/un-Lock all menu.
		Right key	<ul style="list-style-type: none"> • It is a shortcut for adjusting Color mode while there is no OSD on the screen. • Press to enter sub menu.
		Left Key	<ul style="list-style-type: none"> • Return to the previous menu page or exit OSD menu.
		Down Key	<ul style="list-style-type: none"> • It is a shortcut for changing Scenario mode setting while there is no OSD on the screen. • Press to move lighting-indicator on main menu down to next one. • Press to choose last OSD item When lighting-indicator is on the first OSD item. • Press to decrease current values on adjustment bar.
		Up Key	<ul style="list-style-type: none"> • It is a shortcut for adjusting Brightness while there is no OSD on the screen. • Press to move lighting-indicator on main menu up to last one. • Press to choose first OSD item When lighting-indicator is on the last OSD item • Press to increase current values on adjustment bar.
	Input Source	<ul style="list-style-type: none"> • It is a shortcut for changing input signal while there is no OSD on the screen or on power-saving mode. • Press and hold for 10 seconds to Enable/Disable the "DDC/CI". 	
	Power button	<ul style="list-style-type: none"> • Turns the monitor on/off. • White indicates power on. • Orange indicates standby or power saving mode. 	

Using the On-Screen Display(OSD) controls

To adjust the settings, the user controls can be viewed through the OSD.



To use the controls:

1. Press  to open the main OSD menu.
2. Use Δ or ∇ to move among the icons. Select an icon and press \leftarrow to access that function. If there is a sub-menu, you can move between options using Δ or ∇ , then press \leftarrow to select that function. Use Δ or ∇ to make adjustments then press \leftarrow to save.
3. Press  to move backwards through the sub-menus and exit from the OSD.
4. The ENERGY STAR option resets all user settings to default values so that the monitor can meet the requirements of Energy Star.



Energy Star is an energy saving program for consumer electronics led by the U.S. government. It was launched in 1992 by EPA and DOE to reduce energy consumption and greenhouse gas emissions. Energy Star logo is a symbol of energy conservation and environmental protection. It improves the concept of energy efficiency of consumers and manufacturers, and effectively guides the market.

The regulation of Energy Star improves energy efficiency and reduces air pollution by using more energy-efficient equipment in homes, offices and factories. One way to achieve this goal is to use management to reduce energy consumption when products are not in use. The default settings for monitors conform to Energy Star certification. Any changes by users for more features and functionalities may increase power consumption, which will exceed the limitation of Energy Star's standard. If the user changes the options related to energy efficiency when using, such as brightness, color mode, etc., select All Reset Factory or choose the Energy Star option, the power consumption will be restored to the energy efficiency with Energy Star standard.

For more information, please refer to (www.energystar.gov/products). All products of Energy Star will be posted online and can be accessed directly by governments, public institutions and consumers.

Table 2-2. OSD functions

OSD Icon on Main Menu	Sub menu	Description	Controls and Adjustments
Monitor Controls	Brightness	Adjusts overall screen brightness.	All input ports
	Color Mode	<ul style="list-style-type: none"> • sRGB • BT.709 • Neutral • Warm • Cool • Custom Red: Increases or decreases the saturation of 'red' in the image. Green: Increases or decreases the saturation of 'green' in the image. Blue: Increases or decreases the saturation of 'blue' in the image. Note: This function will be grayed out and unselectable. When the Scenario mode is set to E-BOOK mode.	
	Contrast	Adjusts difference between light and dark areas. Note: This function will be grayed out and unselectable in Srgb mode because of Delta E policy.	
	Dynamic Contrast	<ul style="list-style-type: none"> • On • Off Note: 1. When Dynamic contrast is turned on, Brightness/Contrast function must be grayed out and cannot be selected. 2. When Dynamic contrast is turned on, HDR remains at the original setting (If the original setting is AUTO. DCR will be automatically turned OFF Once the HDR signal comes in).	
	Over Drive	<ul style="list-style-type: none"> • Off • Normal • Extreme Note: This function will be grayed out and unavailable Once the HDR signal comes in.	
	Aspect ratio	<ul style="list-style-type: none"> • Full Screen • Orginal AR 	
	Button repeat rate	<ul style="list-style-type: none"> • Default • Slow • Off 	
	LED indicator	<ul style="list-style-type: none"> • On • Off 	
	Power button lock	<ul style="list-style-type: none"> • On • Off 	
Quick settings	Right key	<ul style="list-style-type: none"> • Brightness • Color mode • Contrast • Scenario mode • language 	All input ports
	Down key		
	Up key		

OSD Icon on Main Menu	Sub menu	Description	Controls and Adjustments	
Port Settings	Input Signal	<ul style="list-style-type: none"> • Auto • USB-C • DisplayPort • HDMI 	All input ports	
	USB always On	<ul style="list-style-type: none"> • On • Off <p>Following functions will be always on</p> <ul style="list-style-type: none"> • USB data transfer • Power delivery • Ethernet <p>Note: for USB changing function, when the setting is “on”, enable changing function in all downstream port when the monitor is without upstream cable and in the standby mode or off mode.</p>	for USB-C Port	
		USB Select		<ul style="list-style-type: none"> • USB 3.0 • USB 2.0
		USB-C Charging		<ul style="list-style-type: none"> • Smart Power charging • Priority USB-C charging
	Video range	<ul style="list-style-type: none"> • Auto • Full range • Limited range <p>Note: Refers to RGB range of HDMI input.</p>	for HDMI Port	
	Ethernet setting	<ul style="list-style-type: none"> • On • Off 	All input ports	
	DP select	<ul style="list-style-type: none"> • DP 1.4 • DP 1.2 <p>Note: 1. Only available under DP Source. 2. This function will be grayed out and unselectable When HDR/Panel replay is running.</p>	for DP Port	
Advanced settings	Scenario mode	<ul style="list-style-type: none"> • Panel native • Image creation • Video creation • E-Book mode 	All input ports	
	Mirrored power button	<ul style="list-style-type: none"> • On • Off 		
	HDR10	<ul style="list-style-type: none"> • Auto • Off <p>Note: When HDR 10 is turned on, Brightness/Contrast/Dynamic contrast/ Scenario Mode/Color mode/DP Select/Over drive/Video Range/Brightness Native function must be grayed out and cannot be selected.</p>		
	DP power saving mode	<ul style="list-style-type: none"> • Panel Replay • Off 	for DP 1.4 Port	

OSD Icon on Main Menu	Sub menu	Description	Controls and Adjustments
Menu Settings	Information	<ul style="list-style-type: none"> • Model name • Refresh Rate • Firmware • Serial number 	All input ports
	Language	Select OSD Languages. Note: The language chosen only affects the language of the OSD. It has no effect on any software running on the computer.	
	OSD rotation	<ul style="list-style-type: none"> • Normal • 90° • 180° • 270° 	
	OSD position	Adjust bar 0~100 (H,V)	
	OSD timeout	Adjust bar 5~115 s	
	Transparency	0 ~100	
	Factory reset	<ul style="list-style-type: none"> • Reset • No 	

*The use of Extreme Mode (response time) may result in reduced display quality when fast moving video graphics are displayed.

Users should check Extreme Mode (response time) to verify if it is compatible with any applications they would like to use it with.

Low Blue Light: The display uses the low blue light panel. It complies with TÜV Rheinland Low Blue Light Hardware Solution certification under factory reset/default setting (Low Blue Light=Standard, Brightness:58%, Contrast: 75%, CCT: Warm)

Selecting a supported display mode

The display mode of the monitor uses is controlled by the computer. Therefore, refer to your

computer documentation on how to change display modes.

The image size, position and shape might be changed when the display mode changes. This is normal and the image can be re-adjusted using automatic image setup and the image controls. Unlike CRT monitors, which require a high refresh rate to minimize flicker, LCD or Panel technology is inherently flicker-free.

Note: If your system has previously been used with a CRT monitor and is currently configured to a display mode outside the range of this monitor, you may need to reattach the CRT monitor temporarily until you have re-configured the system; preferably to 3840x2160 at 60 Hz, which is a common display mode. The display modes shown below have been optimized at the factory.

Note: According to the VESA standard, there may be a certain error (+/-1Hz) when calculating the refresh rate (field frequency) of different operating systems and graphics cards. In order to improve compatibility, the nominal refresh rate of this product has been rounded off. Please refer to the actual product.

Table 2-3 Factory set display modes

Timing	Refresh rate(Hz)	Note
640x480	@60Hz	
800x600	@60Hz	
1024x768	@60Hz	
1280x800	@60Hz	
1280x1024	@60Hz	
1440x900	@60Hz	
1600x900	@60Hz	
1680x1050	@60Hz	
1920x1080	@60Hz	
1920x1200	@60Hz	
2560x1440	@60Hz	
3840x2160	@60Hz	
3840x2160	@48Hz	
3840x2160	@75Hz	This Timing is only supported on DP ports, and the max color depth will be set to 8-bit.

Understanding power management

Power management is invoked when the computer recognizes that you have not using your mouse or keyboard for a user-definable period. There are several states as described in the table below.

For optimal performance, switch off your monitor at the end of each working day, or whenever you expect to leave it unused for long periods during the day.

Table 2-4. Power indicator

State	Power Indicator	Screen	Restoring Operation	Compliance
On	White	Normal		
Standby/ Suspend	Amber	Blank	Press a key or move the mouse. There may be a slight delay reappears. Note: Standby also occurs if there is no image output to the monitor.	ENERGY STAR
Off	Off	Blank	Press power key to switch on There may be a slight delay before the image reappears.	ENERGY STAR

Power Management Modes

VESA Modes	Horizontal Sync	Vertical Sync	Video	Power Indicator	Power Consumption
Normal operation	Active	Active	Active	White	195 W (maximum)* 25.5 W (typical)
Active-off mode	Inactive	Inactive	Off	Amber	Less than 0.5 W (The USB-C port is not included)
Switch off	-	-	-	Off	Less than 0.3 W

Energy Star	Power Consumption
P_{ON}	25.2 W
E_{TEC}	102.78 kWh

* Maximum power consumption with max luminance.

This document is informational only and reflects laboratory performance. Your product may perform differently, depending on the software, components and peripherals you ordered and shall have no obligation to update such information. Accordingly, the customer should not rely upon this information in making decisions about electrical tolerances or otherwise. No warranty as to accuracy or completeness is expressed or implied.

Caring for your monitor

Be sure to turn off the power before you perform any maintenance on the monitor.

Do not:

- Apply water or liquid directly to your monitor.
- Use solvents or abrasives.
- Use flammable cleaning materials to clean your monitor or any other electrical equipment.
- Touch the screen area of your monitor with sharp or abrasive items. This type of contact may cause permanent damage to your screen.
- Use any cleaner which contains an anti-static solution or similar additives. This may harm the coating of the screen area.

Do:

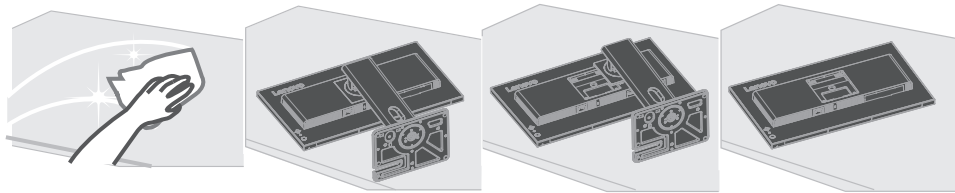
- Lightly dampen a soft cloth with water and use this to gently wipe the covers and the screen.
- Remove grease or finger marks with a damp cloth and a little mild detergent.

Detaching the monitor base and stand

Step 1: Place the monitor on a soft and flat surface.

Step 2: Press and hold the stand release button.

Step 3: Lift the stand up and away from the monitor.

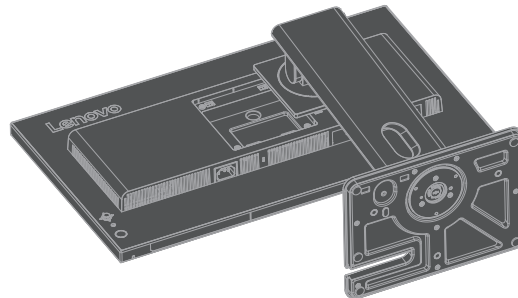


Wall Mounting (Optional)

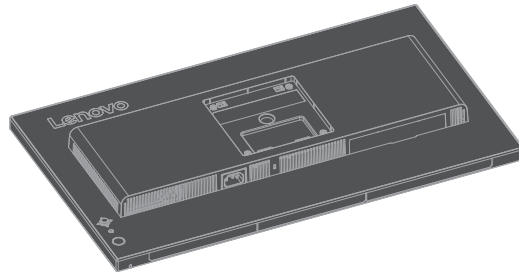
Refer to the instructions that come with the base mounting kit. To convert your LCD display from a desk-mounted to a wall-mounted display, do the following:

Step 1: Verify that the Power button is turned off, then disconnect the power cord.

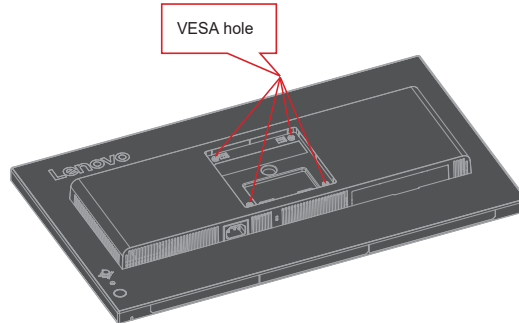
Step 2: Lay the LCD display face down on a towel or blanket.



Step 3: Remove the base and stand from the monitor, refer to “Detaching the monitor base and stand” on page 2-10.



Step 4: Attach the mounting bracket from the VESA compatible wall mounting kit. (100mm x100mm distance), the type of VESA mounting screw is M4 x 10 mm.



Step 5: Attach the LCD display to the wall, and follow the instructions in the wall-mounting kit.
For use only with UL Listed Wall Mount Bracket with minimum weight/load: 8kg

Chapter 3. Reference information

This section contains monitor specifications, instructions to manually install the monitor driver, troubleshooting information.

Monitor specifications

Table 3-1. Monitor specifications for type-model T32UD-40/64B0GAR1WW

Dimensions	Depth	218.0 mm (8.58 in.)
	Height	594.3 mm (23.40 in.)
	Width	714.2 mm (28.12 in.)
Stand	Lift	155 mm
	Tilt	-5° to 23.5°
	Swivel	-45° to 45°
	Pivot	-90° to 90°
VESA mount	Supported	100 mm x 100 mm (3.94 in. x 3.94 in.)
Image	Viewable image size	80.0 cm (31.5 in.)
	Maximum height	392.234 mm (15.44 in.)
	Maximum width	697.305 mm (23.40 in.)
	Pixel pitch	0.18159 mm x 0.18159 mm (0.007 in. x 0.007 in.)
Power input	Supply voltage	100-240V AC
	Max supply current	2.5 A
Power consumption Note: Power consumption figures are for the monitor and the power supply combined. Note: Typical power consumption is tested under OSD default setting.	Normal operation	<195 W (Max) <25.5 W (Typical)
	Standby/Suspend	<0.5 W (The USB-C port is not included)
	Off	<0.3 W at 100VAC and 240VAC
Type-C	Interface	Type-C
	Input signal	VESA TMD5 (Panel Link™)
	Horizontal addressability	3840 pixels (max)
	Vertical addressability	2160 lines (max)
	Clock frequency	594 MHz (max)
	Power deliver	Support SPR 100W 20V(3.75A-5A*) & 15V3A & 9V3A & 5V3A Smart Power max up to 100W (VDM)
	Deliver speed	USB3.2 Gen2 10G

Table 3-1. Monitor specifications for type-model T32UD-40/64B0GAR1WW

DP	Interface	DP**
	Input signal	VESA TMD5 (Panel Link™)
	Horizontal addressability	3840 pixels (max)
	Vertical addressability	2160 lines (max)
	Clock frequency	671 MHz (max)
HDMI	Interface	HDMI
	Input signal	VESA TMD5 (Panel Link™)
	Horizontal addressability	3840 pixels (max)
	Vertical addressability	2160 lines (max)
	Clock frequency	594 MHz (max)

*:The output rating(100W, 20V/5A) is designed based on the Lenovo VDM developed by Lenovo. This product can achieve the output rating(100W, 20V/5A) when it connects products that support Lenovo VDM developed by Lenovo.

** : DP1.4 (HBR3: 32.4 Gbit/s) HBR3:High Bit Rate3

Communications	VESA DDC/CI	
Supported Display Modes	Horizontal frequency	25 kHz ~ 280 kHz
	Vertical frequency	HDMI/USB-C:48 ~ 60 Hz DP:48 ~ 75 Hz
	Native Resolution	3840x2160 at 60 Hz
Temperature	Operating	0° to 40°C (32°F to 104° F)
	Storage	-20° to 60°C (-4°F to 140° F)
	Shipping	-20° to 60°C (-4° F to 140° F)
Humidity	Operating	10% to 80% non-condensing
	Storage	5% to 95% non-condensing
	Shipping	5% to 95% non-condensing

Troubleshooting

If you have a problem setting up or using your monitor, you might be able to solve it yourself. Before calling your dealer or Lenovo, try the suggested actions that are appropriate to your problem.

Table 3-2. Troubleshooting

Problem	Possible cause	Suggested action	Reference
The words "Out of Range" are shown on the screen, and the power indicator is flashing white.	The system is set to a display mode which is not supported by the monitor	<ul style="list-style-type: none"> • If you are replacing an old monitor, reconnect it and adjust the display mode to within the specified range for your new monitor. • If using a Windows system, restart the system in safe mode, then select a supported display mode for your computer. • If these options do not work, contact the Customer Support Centre. 	"Selecting a supported display mode" on page 2-8
The image quality is unacceptable	The video signal cable is not connected with the monitor or system completely.	Be sure the signal cable is firmly plugged into the system and monitor.	"Connecting and turning on your monitor" on page 1-7
	The color settings may be incorrect.	Select another color setting from the OSD menu.	"Adjusting your monitor image" on page 2-3
	The automatic image setup function was not performed.	Perform automatic image setup.	"Adjusting your monitor image" on page 2-3
The power indicator is not lit and there is no image.	<ul style="list-style-type: none"> • The monitor's power switch is not switched on. • The power cord is loose or disconnected. • There is no power at the outlet. 	<ul style="list-style-type: none"> • Be sure the power cord is connected properly. • Be sure the outlet has power. • Power on the monitor. • Try using another power cord. • Try using another electrical outlet. 	"Connecting and turning on your monitor" on page 1-7
Screen is blank and power indicator is amber.	The monitor is in Standby / Suspend mode	<ul style="list-style-type: none"> • Press any key on the keyboard or move the mouse to restore operation. • Check the Power options settings on your computer. 	"Understanding power management" on page 2-9
The power indicator is amber, but there is no image	The video signal cable is loose or disconnected from the system or monitor	Be sure the video cable is connected with the system properly	"Connecting and turning on your monitor" on page 1-7
	The monitor brightness and contrast are at the lowest setting.	Adjust the brightness and contrast setting on the OSD menu.	"Adjusting your monitor image" on page 2-3

Problem	Possible cause	Suggested action	Reference
One or more of the pixels appear discolored	This is a characteristic of the LCD technology and is not an LCD defect	If there are more than five pixels missing, contact the Support Center	"Appendix A. Service and Support" on page A-1
<ul style="list-style-type: none"> • Fuzzy lines in text or a blurry image • Horizontal or vertical lines through the image. 	<ul style="list-style-type: none"> • Image setup has not been optimized • Your system Display Properties setting have not been optimized. 	Adjust the resolution settings on your system to match the native resolution for this monitor: 3840x2160 at 60 Hz.	"Adjusting your monitor image" on page 2-3
		Perform automatic image setup. If automatic image setup does not help, perform manual image setup.	"Selecting a supported display mode" on page 2-8
		When working in the native resolution, you may find additional improvements by adjusting the Dots Per Inch (DPI) setting on your system.	See the Advanced section of your system's display properties.

Manually installing the monitor driver

Below are steps for manually installing the monitor driver in Microsoft Windows 10, Microsoft Windows 11.

1. Turn off the computer, all attached devices.
2. Ensure that the monitor is connected correctly.
3. Turn on the monitor and then the system unit. Allow your computer to start the Windows operating system.
4. From the Lenovo website https://pcsupport.lenovo.com/solutions/t32ud_40, find the corresponding monitor driver and download it to a PC to which this monitor is connected (such as a desktop).
5. Right-click the Windows **Start** button on the desktop, then click **Device Manager**, and double click **Monitor**.
6. Double-click **Generic Monitor**.
7. Click the **Driver** tab.
8. Click **Update Driver**, and then click **Browse Computer to find the driver**.
9. Click **Let me pick from a list of available drivers on my computer**.
10. Click the **Have Disk...** button. By clicking the **Browse** button, browse and point to the following path: **X:\Monitor Drivers\Windows** (where X indicates “the folder in which the downloaded driver is located” (such as a desktop)).
11. Select **T32UD-40.inf** file, Click **Open** button. Click **OK** button.
12. In the new window, select **T32UD-40** and click **Next**.
13. After the installation is complete, delete all downloaded files and close all Windows.
14. Restart the system. The system will automatically select the refresh rate and the corresponding color matching profile.

Service information

Customer responsibilities

The warranty does not apply to a product which has been damaged due to accident, misuse, abuse, improper installation, usage not in accordance with product specifications and instructions, natural or personal disaster, or unauthorized alterations, repairs or modifications.

The following are examples of misuse or abuse and not covered by warranty:

- Images burned on to the screen of a CRT monitor. Burned image is preventable by utilizing a moving screen saver or power management.
- Physical damage to covers, bezel, base and cables.
- Scratches or punctures on monitor screens.

Service parts

The following parts are for use by Lenovo service, or Lenovo authorized dealers to support the customer warranty. Parts are for service use only. The table below shows information for model (A25315UT0/T32UD-40/64B0GAR1WW).

Table 3-3. List of service parts

FRU (Field Replaceable Unit) Part number	Description	Machine Type Model (MTM)	Colour	GEOGRAPHY
5C11J07491	HDMI2.0 cable 1.8m FRU--TPV	64B0	Raven Black	WW
5C11J07492	DP1.4 cable 1.8m FRU--TPV	64B0	Raven Black	WW
5C11P37232	USB C-C Gen2 cable 1.5m FRU-TPV	64B0	Raven Black	WW
5CF1P41514	T32UD-40 FRU Carton	64B0	Yellow	WW
5D11P36227	T32UD-40 -31.5 inch FRU Monitor	64B0	Raven Black	WW
5SE1P38234	T32UD-40 - FRU Stand and Base	64B0	Raven Black	WW

Appendix A. Service and Support

The following information describes the technical support that is available for your product, during the warranty period or throughout the life of the product. Refer to your Lenovo Statement of Limited Warranty for a fully explanation of Lenovo warranty terms.

Registering your option

Register to receive product service and support updates, as well as free and discounted computer Accessories and content. Go to:
<http://www.lenovo.com/support>

Online technical support

Online technical support is available during the life of your product through the Lenovo Support Web site at [http://www.lenovo.com/ support](http://www.lenovo.com/support)

Product replacement assistance or exchange of defective components also is available during the warranty period, assistance for replacement or exchange of defective components is available. In addition, if your option is installed in a Lenovo computer, you might be entitled to service at your location. Your technical support representative can help you determine the best alternative.

Telephone technical support

Installation and configuration support through the Customer Support Center will be available until 90 days after the option has been withdrawn from marketing. After that time, the support is cancelled, or made available for a fee, at Lenovo's discretion. Additional support is also available for a nominal fee.

Before contacting a Lenovo technical support representative, please have the following information available: option name and number, proof of purchase, computer manufacturer, model, serial number and manual, the exact wording of any error message, description of the problem, and the hardware and software configuration information for your system.

Your technical support representative might want to walk you through the problem while you are at your computer during the call.

Telephone numbers are subject to change without notice. The most up-to-date telephone list for Lenovo Support is always available at:
<http://consumersupport.lenovo.com>

Country or Region	Telephone Number
Argentina	0800-666-0011 (Spanish, English)
Australia	1-800-041-267 (English)
Austria	0810-100-654 (local phone) (German)
Belgium	Warrant service and support: 02-339-36-11 (Dutch, French)

Country or Region	Telephone Number
Bolivia	0800-10-0189 (Spanish)
Brazil	Calls made from within the Sao Paulo region: 11-3889-8986 Calls made from outside the Sao Paulo region: 0800-701-4815 (Portuguese)
Brunei Darussalam	800-1111 (English)
Canada	1-800-565-3344 (English, French)
Chile	800-361-213(Spanish)
China	Technical Support Line: 400-100-6000 (Mandarin)
China (Hong Kong S.A.R.)	(852) 3516-8977 (Cantonese, English, Mandarin)
China (Macau S.A.R.)	0800-807 / (852) 3071-3559 (Cantonese, English, Mandarin)
Colombia	1-800-912-3021 (Spanish)
Costa Rica	0-800-011-1029(Spanish)
Croatia	385-1-3033-120(Croatian)
Cyprus	800-92537(Greek)
Czech Republic	800-353-637(Czech)
Denmark	Warranty service and support: 7010-5150 (Danish)
Dominican Republic	1-866-434-2080(Spanish)
Ecuador	1-800-426911 (OPCION 4) (Spanish)
Egypt	Primary: 0800-0000-850 Secondary:0800-0000-744 (Arabic, English)
El Salvador	800-6264 (Spanish)
Estonia	372-66-0-800 (Estonian, Russian, English)
Finland	Warranty service and support: +358-800-1-4260(Finnish)
France	Warranty service and support (hardware): 0810-631-213(French)
Germany	Warranty service and support: 0800-500-4618 (toll-free)(German)
Greece	Lenovo Business Partner (Greek)
Guatemala	Dial 999-9190, wait for operator, and request to reach 877-404-9661 (Spanish)
Honduras	Dial 800-0123(Spanish)
Hungary	+36-13-825-716 (English, Hungarian)
India	Primary: 1800-419-4666 (Tata) Secondary: 1800-3000-8465 (Reliance) Email: commercialts@lenovo.com (English and Hindi)

Country or Region	Telephone Number
Indonesia	1-803-442-425 62 213-002-1090 (Standard Charges Apply) (English, Bahasa Indonesia)
Ireland	Warranty service and support: 01-881-1444 (English)
Israel	Givat Shmuel Service and Center: +972-3-531-3900 (Hebrew, English)
Italy	Warranty service and support: +39-800-820094 (Italian)
Japan	0120-000-817 (Japanese, English)
Kazakhstan	77-273-231-427(Standard charges Apply) (Russian , English)
Korea	080-513-0880 (Collect Call) 02-3483-2829 (Toll Call) (Korean)
Latvia	371-6707-360(Latvian, Russian, English)
Lithuania	370 5278 6602(Italian, Russian, English)
Luxembourg	ThinkServer and ThinkStation: 352-360-385-343 ThinkCentre and ThinkPad: 352-360-385-222 (French)
Malaysia	1-800-88-0013 03-7724-8023 (Standard Charges Apply) (English)
Malta	356-21-445-566(English, Italian, Maltese Arabic)
Mexico	001-866-434-2080(Spanish)
Netherlands	020-513-3939 (Dutch)
New Zealand	0508-770-506 (English)
Nicaragua	001-800-220-2282 (Spanish)
Norway	8152-1550(Norwegian)
Panama	Lenovo Customer Support Center: 001-866-434(Toll-Free) (Spanish)
Peru	0-800-50-866 (OPCION 2) (Spanish)
Philippines	1-800-8908-6454 (GLOBE subscribers) 1-800-1441-0719 (PLDT subscribers) (Tagalog, English)
Poland	Laptops and tablets branded with logo Think: 48-22-273-9777 ThinkStation and ThinkServer: 48-22-878-6999 (Polish, English)
Portugal	808-225-115 (Standard Charges Apply) (Portuguese)
Romania	4-021-224-4015(Romanian)
Russia	+7-499-705-6204 +7-495-240-8558 (Standard Charges Apply)(Russian)
Singapore	1-800-415-5529 6818-5315 (Standard Charges Apply) (English, Mandarin, Bahasa Malaysia)
Slovakia	ThinkStation and ThinkServer: 421-2-4954-5555

Country or Region	Telephone Number
Slovenia	386-1-2005-60 (Slovenian)
Spain	34-917-147-833(Spanish)
Sri Lanka	+9477-7357-123 (Sumathi Information systems) (English)
Sweden	Warranty service and support: 077-117-1040 (Swedish)
Switzerland	Warranty service and support: 0800-55-54-54 (German, French, Italian)
Taiwan	0800-000-702 (Mandarin)
Thailand	001-800-4415-734 (+662) 787-3067 (Standard Charges Apply)(Thai, English)
Turkiye	0 212 912 01 34 (Turkish)
United Kingdom	Standard warranty support: 03705-500-900 (local rate) Standard warranty support: 08705-500-900(English)
United States	1-800-426-7378 (English)
Uruguay	000-411-005-6649 (Spanish)
Venezuela	0-800-100-2011 (Spanish)
Vietnam	120-11072 (Toll Free) 84-8-4458-1042 (Standard Charges Apply) (Vietnamese, English)

Appendix B. Notices

Lenovo may not offer the products, services, or features discussed in this document in all countries. Consult your local Lenovo representative for information on the products and services currently available in your area. Any reference to a Lenovo product, program, or service is not intended to state or imply that only that Lenovo product, program, or service may be used. Any functionally equivalent product, program, or service that does not infringe any Lenovo intellectual property right may be used instead. However, it is the user's responsibility to evaluate and verify the operation of any other product, program, or service.

Lenovo may have patents or pending patent applications covering subject matter described in this document. The furnishing of this document does not give you any license to these patents. You can send license inquiries, in writing to:

*Lenovo (United States), Inc.
1009 Think Place - Building One
Morrisville, NC 27560
U.S.A.
Attention: Lenovo Director of Licensing*

LENOVO PROVIDES THIS PUBLICATION "AS IS" WITHOUT WARRANTY OF ANY KIND, EITHER EXPRESS OR IMPLIED, INCLUDING, BUT NOT LIMITED TO THE IMPLIED WARRANTIES OF NON-INFRINGEMENT, MERCHANTABILITY OR FITNESS FOR A PARTICULAR PURPOSE.

Some jurisdictions do not allow disclaimer of express or implied warranties in certain transactions, therefore, this statement may not apply to you.

This information could include technical inaccuracies or typographical errors. Changes are periodically made to the information herein; these changes will be incorporated in new editions of the publication. Lenovo may make improvements and/or changes in the product(s) and/or the program(s) described in this publication at any time without notice.

The products described in this document are not intended for use in implantation or other life support applications where malfunction may result in injury or death to persons. The information contained in this document does not affect or change Lenovo product specifications or warranties. Nothing in this document shall operate as an express or implied license or indemnity under the intellectual property rights of Lenovo or third parties. All information contained in this document was obtained from specific environments and presented as an illustration. The result obtained in other operating environments may vary.

Lenovo may use or distribute any of the information you supply in any way it believe appropriate without incurring any obligation to you.

Any references in this publication to non-Lenovo Web sites are provided for convenience only and do not in any manner serve as an endorsement of those Web sites. The materials at those Web sites are not part of the materials for this Lenovo product, and use of those Web sites is at your own risk.

Any performance data contained herein was determined in a controlled environment. Therefore, the result obtained in other operating environments may vary significantly. Some measurements may have been made on development-level systems and there is no guarantee that these measurements will be the same on generally available systems. Furthermore, some measurements may have been estimated through extrapolation. Actual results may vary. Users of this

document should verify the applicable data for their specific environment.

Recycling information

Lenovo encourages owners of information technology (IT) equipment to responsibly recycle their equipment when it is no longer needed. Lenovo offers a variety of programs and services to assist equipment owners in recycling their IT products. For information on recycling Lenovo products, go to:

<http://www.lenovo.com/recycling>

環境配慮に関して

本機器またはモニターの回収リサイクルについて

企業のお客様が、本機器が使用済みとなり廃棄される場合は、資源有効利用促進法の規定により、産業廃棄物として、地域を管轄する県知事あるいは、政令市長の許可を持った産業廃棄物処理業者に適正処理を委託する必要があります。また、弊社では資源有効利用促進法に基づき使用済みパソコンの回収および再利用・再資源化を行う「PC回収リサイクル・サービス」を提供しています。詳細は、https://www.lenovo.com/jp/ja/services_warranty/recycle/pcrecycle/をご参照ください。

また、同法により、家庭で使用済みとなったパソコンのメーカー等による回収再資源化が2003年10月1日よりスタートしました。詳細は、https://www.lenovo.com/jp/ja/services_warranty/recycle/pcrecycle/をご参照ください。

重金属を含む内部部品の廃棄処理について

本機器のプリント基板等には微量の重金属（鉛など）が使用されています。使用後は適切な処理を行うため、上記「本機器またはモニターの回収リサイクルについて」に従って廃棄してください。

Collecting and recycling a disused Lenovo computer or monitor

If you are a company employee and need to dispose of a Lenovo computer or monitor that is the property of the company, you must do so in accordance with the Law for Promotion of Effective Utilization of Resources. Computers and monitors are categorized as industrial waste and should be properly disposed of by an industrial waste disposal contractor certified by a local government. In accordance with the Law for Promotion of Effective Utilization of Resources, Lenovo Japan provides, through its PC Collecting and Recycling Services, for the collecting, reuse, and recycling of disused computers and monitors. For details, visit the Lenovo Web site at

https://www.lenovo.com/jp/ja/services_warranty/recycle/pcrecycle/. Pursuant to the Law for Promotion of Effective Utilization of Resources, the collecting and recycling of home-used computers and monitors by the manufacturer was begun on October 1, 2003. This service is provided free of charge for home-used computers sold after October 1, 2003. For details, visit the Lenovo Web site at https://www.lenovo.com/jp/ja/services_warranty/recycle/personal/.

Disposing of Lenovo computer components

Some Lenovo computer products sold in Japan may have components that contain heavy metals or other environmental sensitive substances. To properly dispose of disused components, such as a printed circuit board or drive, use the methods described above for collecting and recycling a disused computer or monitor.

Trademarks

The following terms are trademarks of Lenovo in the United States, other countries, or both:

- Lenovo
- The Lenovo logo
- ThinkCentre
- ThinkPad
- ThinkVision

Microsoft, Windows, and Windows NT are trademarks of the Microsoft group of companies.

Other company, product, or service names may be trademarks or service marks of others.

Power cords and power adapters

Use only the power cords and power adapters supplied by the product manufacturer. Do not use the ac power cord for other devices.